



Manitowoc[®]

Parts Manual

800-544-5720
WWW.MANITOWOCICE.COM

For more Parts Information:
<https://manitowocice.sysonline.com/Default.aspx>

TABLE OF CONTENTS

Manitowoc Ice [Updated: Feb. 28, 2025]

Manitowoc - Ice & Related

Parts Catalog

Ice Machine

CNF Series

CNF0201, CNF0202

CNF0201 CNF0202 - Control Box 1

CNF0201 CNF0202 - Evaporator Assembly 3

CNF0201 CNF0202 - Refrigeration Compartment - View 1 6

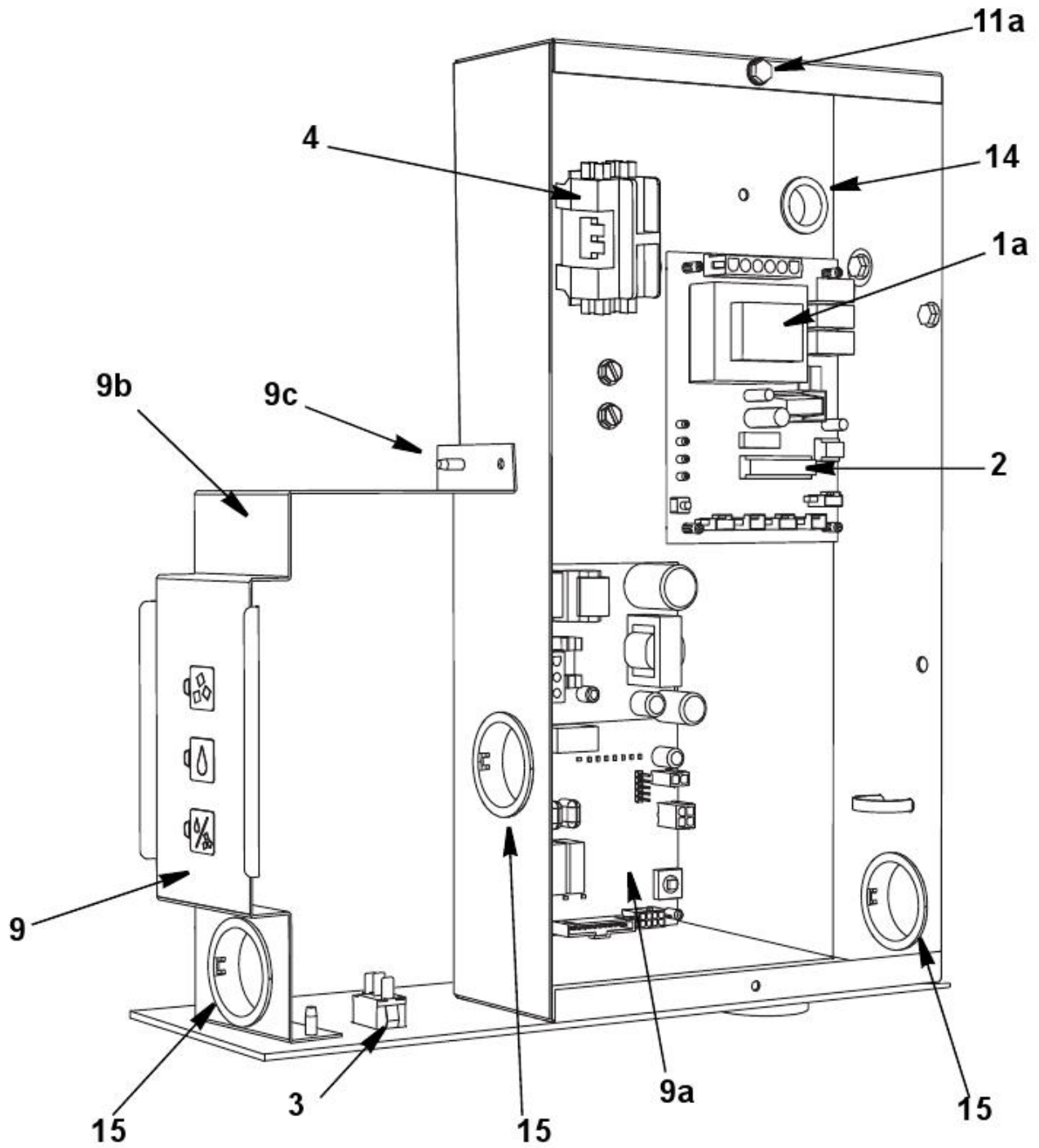
CNF0201 CNF0202 - Refrigeration Compartment - View 2 9

CNF0201 CNF0202 - Refrigeration Compartment - Air-cooled Components 12

CNF0201 CNF0202 - Panels 14

CNF0201, CNF0202

CNF0201 CNF0202 - Control Box



CNF0201 CNF0202 - Control Box

CNF0201 CNF0202 - Control Box

CNF0201, CNF0202

CNF0201 CNF0202 - Control Box

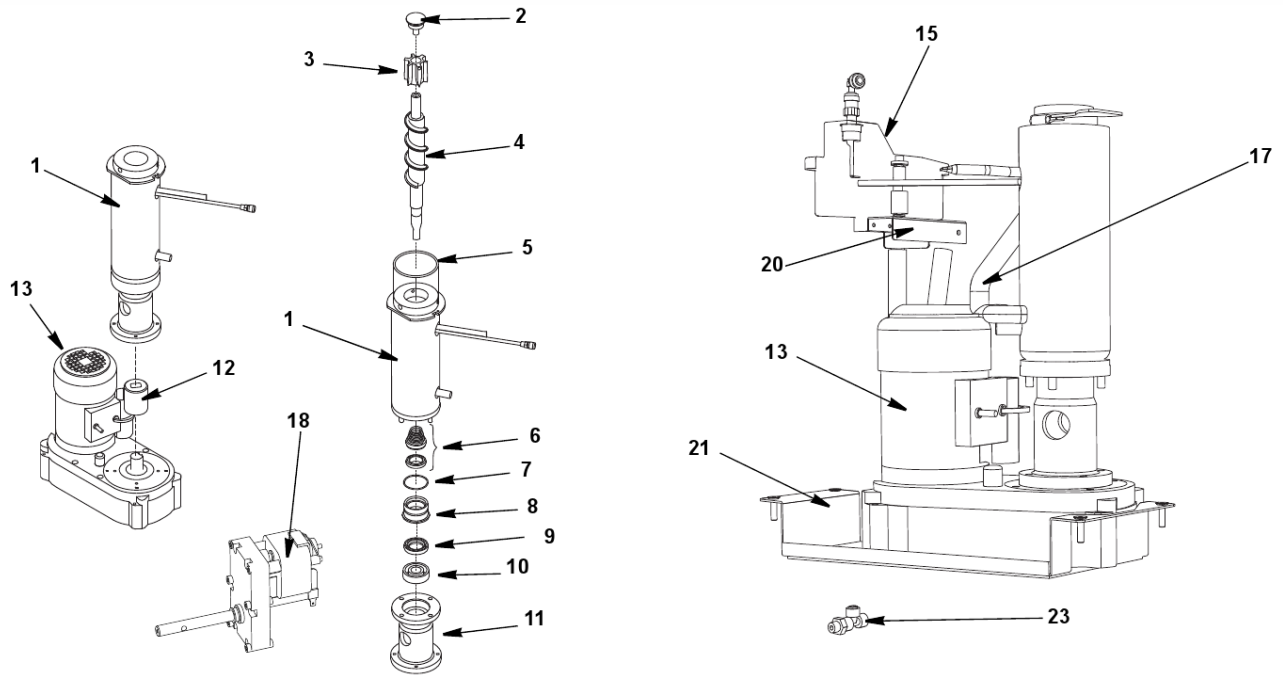
#	PART #	DESCRIPTION	QTY	Note
1	000001238	Control Board		
1a	4302253	Control Board Mounting Supports		
2	2511493	Fuse - 10A		
3	2007939	Toggle Switch		
3a	2009873	Toggle Switch Wiring Harness		
4		Contactors		
4a	2006589	Contactors - 115V/60 Hz/1 Ph		
4b	2006599	Contactors - 230V/50-60 Hz/1 Ph		
5	000014270	EMC Filter		[1]
6	000015148	Wiring Harness - EMC		[1]
7	000015093	Wiring Harness - Power		
8	000010744	Control Box		
9	000010710	Touch Pad Selector		
9a	000010742	Control Board - Touch Pad		
9b	000010745	Bracket - Touch Pad		
9c	5202069	Screw - #10-24 x 0.5" HEX		
10	000010750	Wiring Harness - Touch Pad		
11	000000734	Control Box Cover		
11a	5202069	Screw - #10-24 x 0.5" HEX		
12	6024953	Capacitor Mounting Strap - USE UP		
13	5202109	Screw - #10-24 x 0.375"		
14	2501409	Bushing - 0.875"		
15	2500139	Bushing - 1.5"		
16	000015146	Wiring Harness - 115V		
17	000015147	Wiring Harness - 230V		

PART NOTES:

[1] - 50 Hz Only

CNF0201, CNF0202

CNF0201 CNF0202 - Evaporator Assembly



CNF0201, CNF0202

CNF0201 CNF0202 - Evaporator Assembly

#	PART #	DESCRIPTION	QTY	Note
1		Evaporator Assembly		
1a	000008357	Entire Evaporator Assembly		[1]
1b	000012547	Evaporator Rebuild Kit - RNS12-20/CNF201-202/RNS0300/RNF0320/RNP0320		[2]
1c	000015511	Set Screws - Evaporator		
2	000008939	Ice Wiper Stud		[3]
3	000009156	Extruder with Bearings Assembly		[4]
4	000009157	Auger		[5]
4a	000009158	Auger and Extruder with Bearings		[6]
5	000008940	O-ring Gasket		[7]
6	000006426	Water Seal		[8]
7	000005583	Lower O-ring		[9]
8	000005782	Water Seal Retainer		[10]
9	000008938	Seal Ring		[11]
10	000008898	Bearing		[12]
11	000008897	Evaporator Foundation		[13]
11a	000012459	Bolt - Evaporator Foundation - M6 x 25mm		
12	000008967	Joint		[14]
13		Gear Box/Motor Assembly		
13a	000011126	Gearmotor Assembly - 115V/60 Hz/1 Ph		[15]
13b	000011800	Gearmotor Assembly - 208-230V/50-60 Hz/1 Ph		[16]
13c	000008631	Wiring Harness - Gearmotor		
14		Gearmotor Capacitors		
14a	000007825	Gearmotor Capacitor 16 uF - 115V/60 Hz/1 Ph		[17]
14b	000007824	Gearmotor Capacitor 5 uF - 230V/50 Hz/1 Ph		[18]
15	000006516	Float Chamber Assembly		[19]
15a	2008633	Float Switch Only		
15b	000006515	Float Chamber		
16		Water Dispense Valve		
16a	2009093	Water Dispense Valve - 115V/60 Hz/1 Ph		
16b	2009103	Water Dispense Valve - 230V/50 Hz/1 Ph		
16c	5002943	Elbow - 0.375" x 0.25"		
16d	000001180	Speed Fitting - 0.25" x 0.25"		
16e	000000469	Fitting		
17	000008205	Molded Vinyl Tube		
18		Dispenser Motor		
18a	000014075	Dispense Motor - 115V		
18b	000016136	Dispense Motor - 230V/60 Hz		
18c	000014076	Dispense Motor - 230V/50 Hz		
19		Dispenser Motor Mounting		
19a	000007423	Bracket- Dispenser Motor Mounting		
19b	5003383	Screw- Dispenser Motor Mounting		
19c	5573209	Star Washer- Dispenser Motor Mounting		
20	6066101	Float Valve Bracket		
20a	5202069	Screw - #10-24 x 0.5" HEX		
20b	5650729	Compression Nut		
21		Gearmotor Mounting Base		

CNF0201 CNF0202 - Evaporator Assembly

CNF0201, CNF0202

CNF0201 CNF0202 - Evaporator Assembly

#	PART #	DESCRIPTION	QTY	Note
21a	000014733	Gearmotor Mounting Base - CNF201		
21b	000014820	Support Bracket - Gearmotor Mounting Base - CNF201		
21b	000008194	Gearmotor Mounting Base - CNF202		
22		Evaporator Mounting to Bracket		
22a	6069201	Bracket- Mounting		
22b	5005423	Bolt- Mounting		
22c	5573059	Flatwasher- Mounting		
22d	5573139	Lockwasher- Mounting		
23	2009483	Swivel Tee Male		
24		Evaporator Mounting to Gear Motor		
24a	5005653	Bolt - M8 x 20 SS- Mounting		
24b	5005663	Flatwasher - M8 SS- Mounting		
24c	5005673	Lockwasher - M8 SS- Mounting		
25d	5202069	Screw - #10-24 x 0.5" HEX- Mounting		
26	5650649	Snap Clamp - 0.75" - Nylon		
27	000016230	Evaporator Thermostat		[20]
27a	000016263	Harness - Evaporator Thermostat		[20]

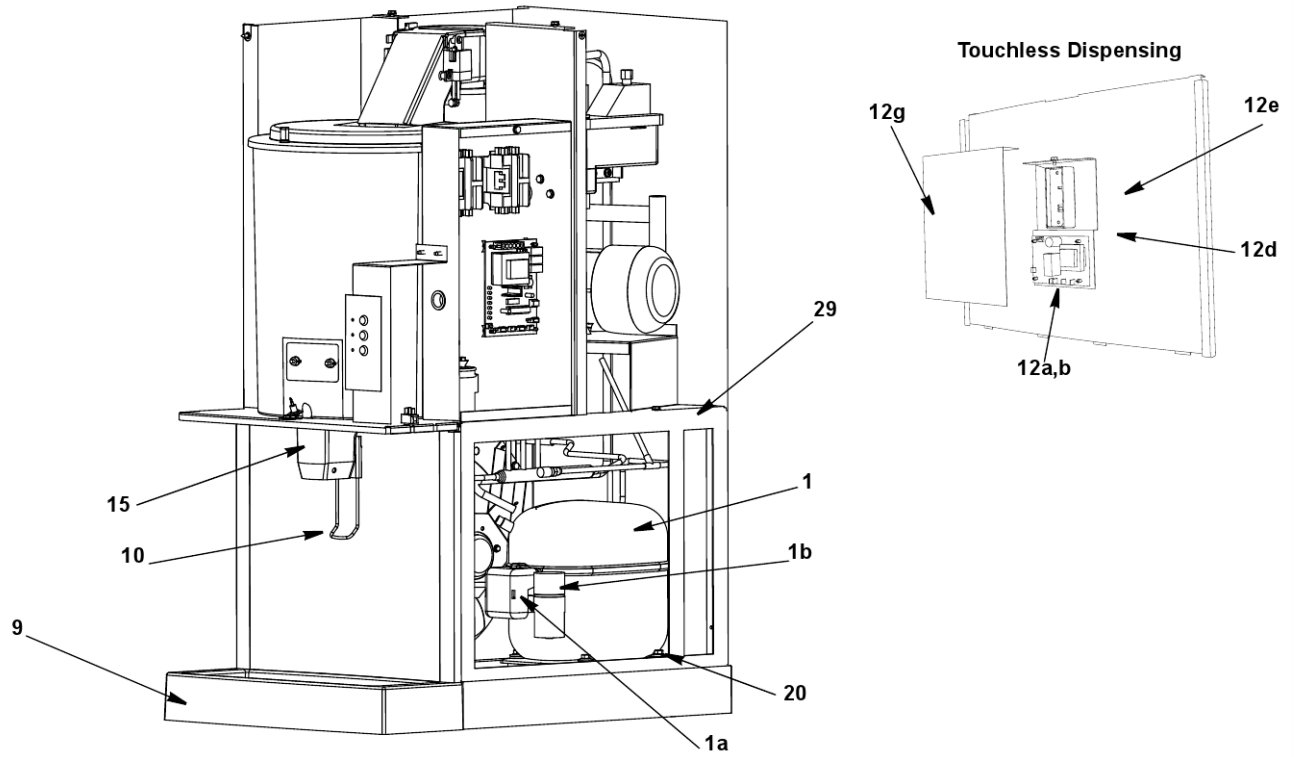
PART NOTES:

- [1] - C11162
- [2] - Includes Water Seal, Lower O-ring, Water Seal Retainer, Seal Ring, and Bearing
- [3] - 20986
- [4] - C201001
- [5] - 20100
- [6] - C20918
- [7] - 20987
- [8] - 20937
- [9] - 20429
- [10] - 20785
- [11] - 20985
- [12] - 20917
- [13] - 20916
- [14] - D20630
- [15] - 231056
- [16] - 231030
- [17] - 23958
- [18] - 23957
- [19] - includes float, switch, cover & housing
- [20] - Only used on Units After SN 1120752062

CNF0201 CNF0202 - Evaporator Assembly

CNF0201, CNF0202

CNF0201 CNF0202 - Refrigeration Compartment - View 1



CNF0201 CNF0202 - Refrigeration Compartment - View 1

CNF0201, CNF0202

CNF0201 CNF0202 - Refrigeration Compartment - View 1

#	PART #	DESCRIPTION	QTY	Note
1a	000014661	Compressor - Embraco - 115V/60 Hz/1 Ph		
1aa	000017454	Overload		
1ab	000017193	Start Capacitor		
1ac	000017191	Start Relay		
1ad	000017192	Run Capacitor		
1b	000014679	Compressor - Embraco - 230V/60 Hz/1 Ph		
1c	000014678	Compressor - Embraco - 230V/50 Hz/1 Ph		
2		Water Dump Valve		
2a	000007429	Water Dump Valve - 115V		
2b	000007428	Water Dump Valve - 208-240V		
3a	000014760	Expansion Valve		[1]
3aa	000015090	Insulation Boot - Expansion Valve		
3b	000016711	Expansion Valve		[2]
3ba	000015462	Insulation - TXV Boot		
4	000013579	High Pressure Cut-out		
5	000013573	Low Pressure Cut-out		
6	8310233	Manifold Strainer		
7	000015091	Bracket - Manifold Strainer		
8	8930259	Drier w/o Access - 0.25"		
9	4013423	Drain Tray		
9a	3006573	Grill/Wire Drain Tray Rack		
10	4014783	Dispenser Arm		
11	000000525	Bracket - Lever Pivot		
12		Touch Less Dispensing		
12a	000000308	Control Board - 115V/60 Hz/1 Ph		
12b	000000186	Control Board - 230V/50 Hz/1 Ph		
12c	000000187	Control Board Support		
12d	000008173	Sensor Block Assembly		
12e	000000185	Bracket		
12f	000000332	Screw		
12g	000000580	Mylar Shield		
13	000000310	Wiring Harness - Touchless Dispensing		
14	2009463	Blue LED Light		
15	000002247	Ice Dispense Chute		
16	000010752	Dispense Switch		
17	5000673	Coupling Male Reducing - 0.375" x 0.25"		
18	9000853	Water Dispense Tubing - 21.5"		
19	8373253	Access Valve - 6.0" L		
19a	7626843	Valve Cores		
20		Compressor Mounting		
20a	5004203	Compressor Rubber Grommet		
20b	5000939	ScrewMounting -		
20c	5004213	Compressor SleeveMounting -		
20d	5000979	Washer - Package of 4Mounting -		
20e	2512043	Strain Relief 116V		
21	8706093	Female Wing Adapter - Brass - 0.375"		[3]

CNF0201 CNF0202 - Refrigeration Compartment - View 1

CNF0201, CNF0202

CNF0201 CNF0202 - Refrigeration Compartment - View 1

#	PART #	DESCRIPTION	QTY	Note
21a	5202069	Screw - #10-24 x 0.5" HEX		
22	2009483	Swivel Tee Male		
23	4420291	Tygon Tube - 0.25" OD		
24	6039081	Water Inlet Tubing Insulation		
25	2500139	Bushing - 1.5"		
26	2512043	Strain Relief 116V		
26a	000000081	Power Cord - 115V/60 Hz		
26b	000000082	Power Cord - 230V/50 Hz		
27	6066241	Water Dump Valve Bracket		
27a	5202329	Screw - #10-24 x 0.25" PHIL		
28		Drain Tray		
28a	4015853	Vinyl Tube		
28b	5650663	Snap Clamp - 1.218" x 1.4"		
29		Support Bracket		
29a	000014734	Support Bracket - RNS12/CNF201		
29b	000014315	Support Bracket - RNS20/CNF202		
30		Suction Line		
30a	000010517	Suction Line - RNS12/CNF201		
30b	000010518	Suction Line - RNS20/CNF202		
31		Liquid Line		
31a	000008458	Liquid Line - RNS12/CNF201 - USE UP		
31b	000008196	Liquid Line - RNS20/CNF202 - USE UP		
32	000015235	Insulation - 0.25" x 7.5"		
33	000014759	Base- Nugget Dispenser		

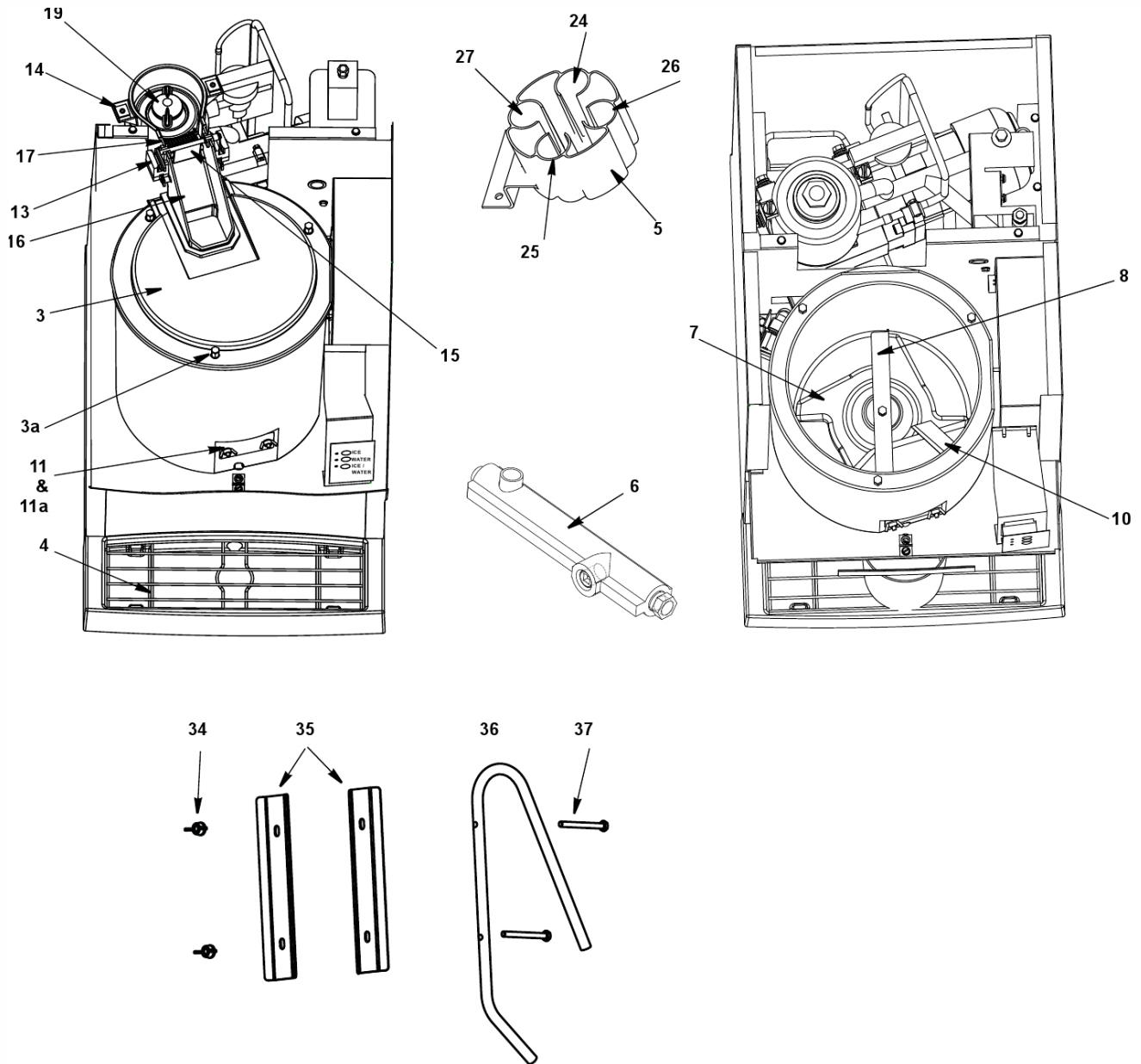
PART NOTES:

- [1] - Units Before SN 1120752062
- [2] - Units After SN 1120752062
- [3] - Brass

If replacing a nylon fitting you must order 1360961

CNF0201, CNF0202

CNF0201 CNF0202 - Refrigeration Compartment - View 2



CNF0201 CNF0202 - Refrigeration Compartment - View 2

CNF0201, CNF0202

CNF0201 CNF0202 - Refrigeration Compartment - View 2

#	PART #	DESCRIPTION	QTY	Note
1		Bin Liner		
1a	4013313	Bin Liner - RNS12/CNF201		
1b	4015023	Bin Liner - RNS20/CNF202		
2	5005623	Bottom Adapter		[1]
3	4014453	Cover		
3a	5305123	Thumbscrew SS - #8-32 x 0.44"		
4	3006573	Grill/Wire Drain Tray Rack		
5	4015073	Four into One Drain		
5a	000014921	Bracket - Four into One Drain		
5b	5202069	Screw - #10-24 x 0.5" HEX		
6	6072021	Interchangeable Drain Tube		
6a	4015603	Insulation - Drain Tube		
7	000002201	Dispense Wheel		
7a	000002245	Thumbscrew (Secures Breaker Bar to Dispense Wheel)		
8	000002203	Breaker Bar		[2]
8a	000002243	O-ring		
9	5005823	Drive Pin		
10	000012605	Ice Deflector		
11	6069031	Support Plate		
11a	000014788	Bracket - Water Hose (mounts on Support Plate)		
11b	5005503	Wingnut		
12	2009793	Hall Effect Switch with Wiring		
13	2009803	Hall Effect Switch Housing		
13a	5121629	Screw		
14	5650853	Receptacle		
14a	5000453	Wing-head Mounting Stud		
15	4014443	Damper Door Nugget		
16	4013363	Ice Chute		
17	4014883	Strainer Ramp		
18	4013463	Chute Cover - sits on receptacle		
19	000002062	Ice Wiper - Nugget		
21		Dispenser Motor		
21a	000014075	Dispense Motor - 115V		
21b	000016136	Dispense Motor - 230V/60 Hz		
21c	000014076	Dispense Motor - 230V/50 Hz		
21d	000002245	Thumbscrew		
21e	000002243	O-ring		
22		Secure Ice Chute to Evaporator		
22a	000000464	Clamp Assembly - SS		
22b	000005183	Clamp Seal		
38b	000014804	Upright Agitator Bar - CNF201		[3]
23		Secure Dispenser Motor to Bin		
23a	5573209	Star Washer		
23b	5202069	Screw - #10-24 x 0.5" HEX		
		CNF201 Tubing		[4]
24	4420383	Clear Tubing - 0.625" ID		

CNF0201 CNF0202 - Refrigeration Compartment - View 2

CNF0201, CNF0202

CNF0201 CNF0202 - Refrigeration Compartment - View 2

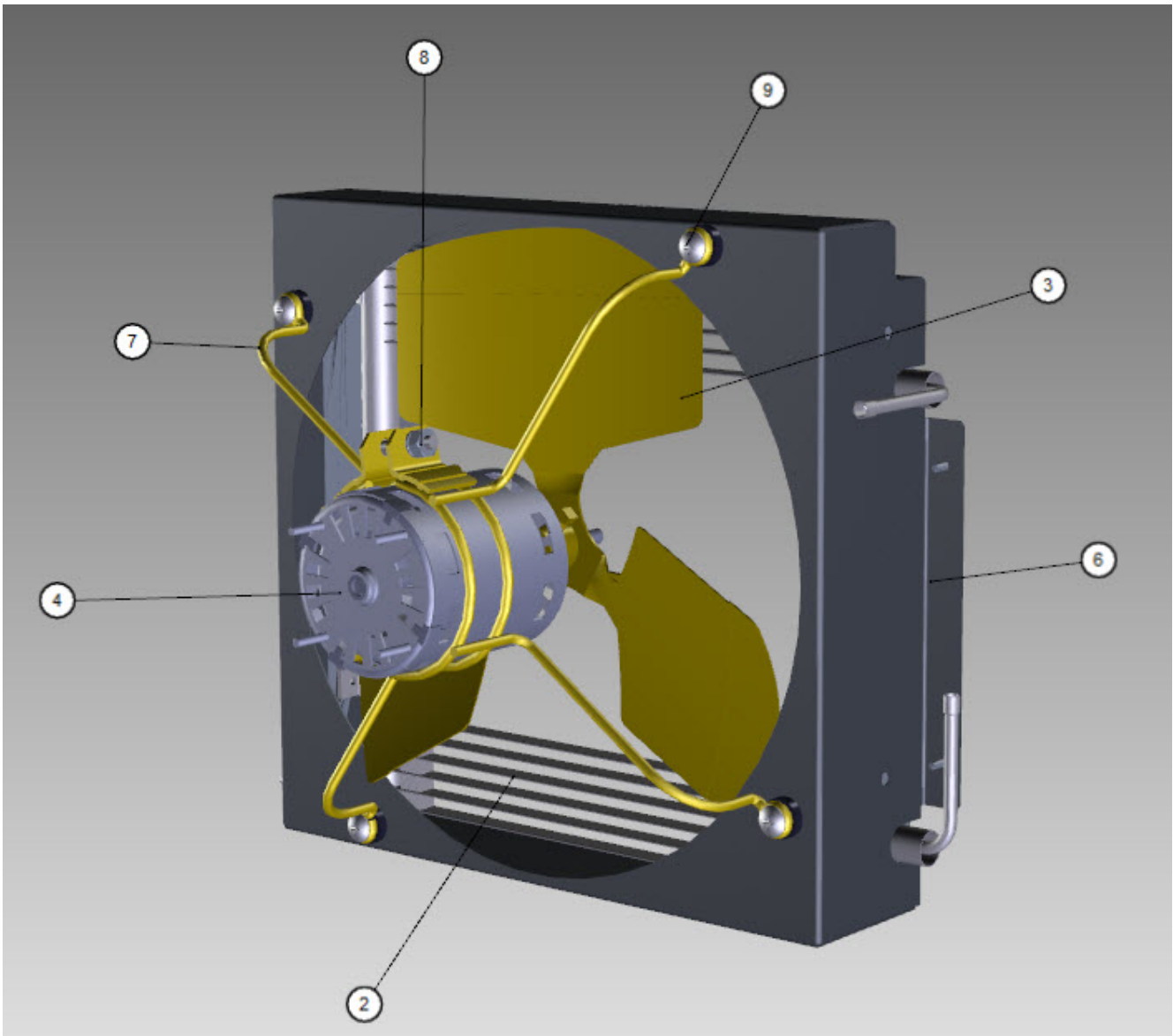
#	PART #	DESCRIPTION	QTY	Note
25	4420383	Clear Tubing - 0.625" ID		
26	4015763	Float Overflow		
27	4420383	Clear Tubing - 0.625" ID		
28	5650609	Snap Clamp - 1.0" ID CNF202 Tubing		[4]
29	4420383	Clear Tubing - 0.625" ID		
30	4420383	Clear Tubing - 0.625" ID		
31	4015943	Float Overflow		
32	4420383	Clear Tubing - 0.625" ID		
33	5650609	Snap Clamp - 1.0" ID		
34-38		CNF202 Model Only		
34	5005503	Wingnut		
35	000012602	Ice Breaker Mounting Bracket - Outside of Bin		
35a	000002198	Ice Breaker Mounting Bracket - Insider of Bin		
36	000002197	Ice Breaker		
37	000002244	Mounting Bolts		
38		Upright Agitator Bar Assemblies - CNF202		
38a	000002776	Upright Agitator Bar Assembly - 115V/60 Hz/1 Ph		[5]
38b	000002777	Upright Agitator Bar Assembly - 230V/60 Hz/1 Ph		[5]
38c	000002196	Upright Agitator Bar		[6]
40	000015155	Black Snap Clamp - 0.7" x 0.8"		

PART NOTES:

- [1] - 0.5" N.P.T. x 0.5" Barbed
- [2] - CNF0201 CNF0202 Models
- [3] - CNF0201 Models Only
- [4] - (four in one drain)
- [5] - Includes: Dispense Wheel, Breaker Bar, O-ring, Agitator Bar and Dispense Motor
- [6] - CNF0202 Models Only

CNF0201, CNF0202

CNF0201 CNF0202 - Refrigeration Compartment - Air-cooled Components



CNF0201 CNF0202 - Refrigeration Compartment - Air-cooled Components

CNF0201, CNF0202

CNF0201 CNF0202 - Refrigeration Compartment - Air-cooled Components

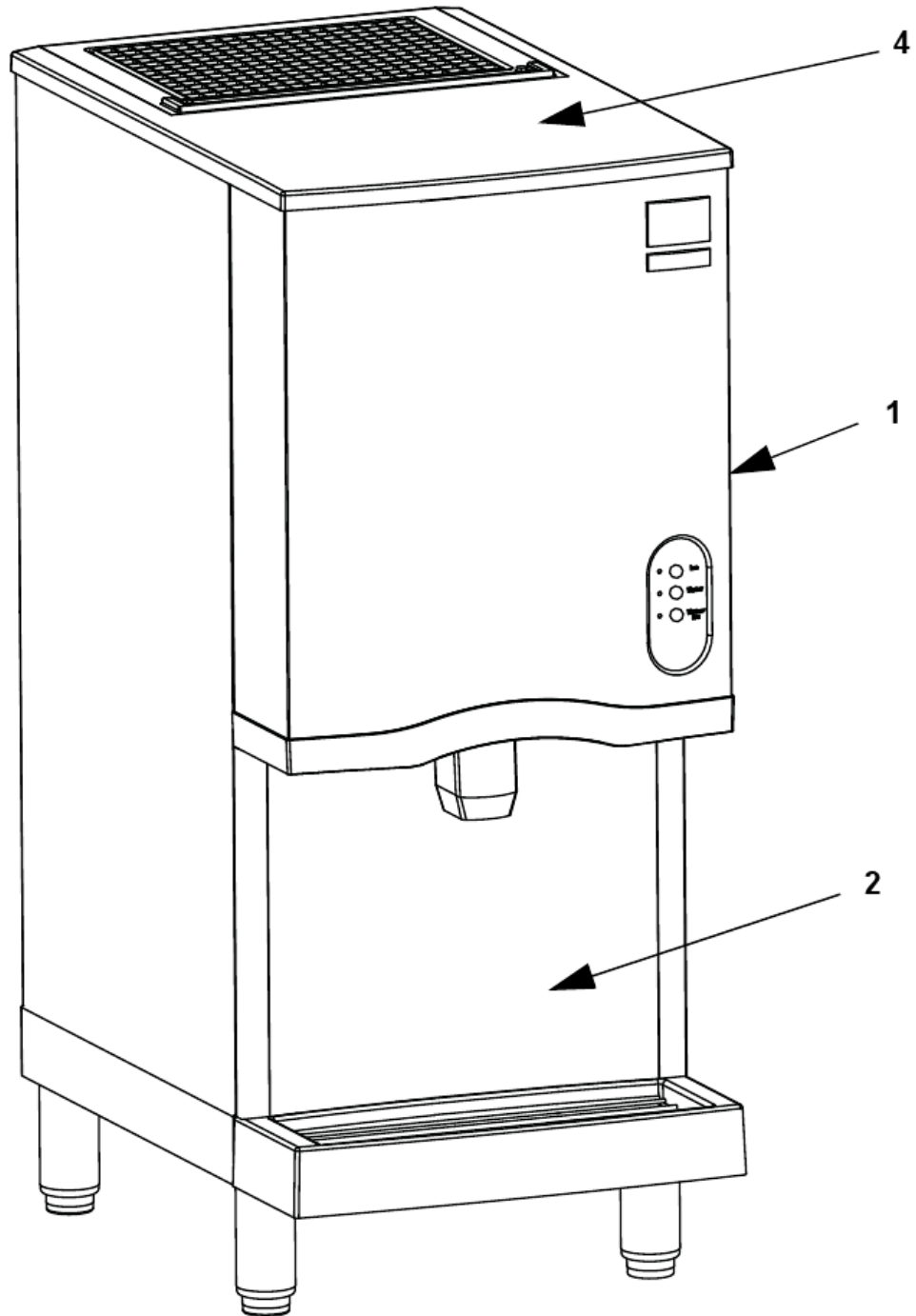
#	PART #	DESCRIPTION	QTY	Note
1		Compressor		[1]
2	000014691	Air Condenser		
3	2416173	Fan Blade		
4		Fan Motor		
4a	000015965	Fan Motor - 115V/60 Hz/1 Ph		[2]
4b	000015966	Fan Motor - 208-230V/50-60 Hz		[2]
5	000013508	Fan Cycling Control - 200-250 psig		
6	000014695	Fan Shroud		
6a	000014995	LH Bracket - Fan Shroud		
6b	000014996	RH Bracket - Fan Shroud		
7	000013217	Fan Motor Bracket		
8	5429529	Mounting - Hexnut		
9	000001524	Screw		
10	5429559	Rubber Wellnut		
11	000015603	Air Filter		

PART NOTES:

- [1] - Refer to COMMON PARTS PAGE
- [2] - Includes mount cable tie and keps nuts.

CNF0201, CNF0202

CNF0201 CNF0202 - Panels



CNF0201 CNF0202 - Panels

CNF0201, CNF0202

CNF0201 CNF0202 - Panels

#	PART #	DESCRIPTION	QTY	Note
1		Front Panel Assembly		
1a	6068241	Front Panel Assembly - SN12/RNS12/CNF201		[1]
1b	6070801	Front Panel Assembly - SN20/RNS20/CNF202		[2]
1c	000016697	Front Panel Assembly - CNF201N		[3]
1d	000016698	Front Panel Assembly - CNF202N		[3]
1e	4014703	Front Panel Top End Cap		
1f	4014713	Front Panel Bottom End Cap		
1g	5012349	Screws		
2	6068481	Lower Front Panel Lever Activated -		
2a		Touchless - Lower Front Panel		
2b	000000338	Touchless - Lower Front Panel Assembly - 115V/60 Hz/1 Ph		
2c	000000383	Touchless - Lower Front Panel Assembly - 230V/60 Hz/1 Ph		
2d	000000645	Front Panel Label		
3	000015603	Air Filter		
4	4014463	Top Cover		
5		Back Panel		
5a	6068151	Back Panel - 35"		
5b	6071361	Back Panel - 42"		
6		CNF201 Side Panels		
6a	000015286	Right Side Panel - Louvered - 35"		[4]
6b	000015285	Left Side Panel - Non-Louvered - 35"		[5]
7		CNF202 Side Panels		
7a	000012461	Right Side Panel- Louvered - 42"		[4]
7b	000012460	Left Side Panel- Non-Louvered - 42"		[5]
8	5202069	Screw - #10-24 x 0.5" HEX		[6]
9	000000458	Thumbscrew		[7]
10	5005573	Side Panel Screws		
11	000000741	Side Panel Nuts		
12	5012349	Screws		[8]
13	5202099	Screw - #10-24 x 0.5" PHIL		
14		Cartoning		
14a	000002781	Cartoning - SN12/RNS12/CNF201		
14b	000011198	Cartoning - SN20/RNS20/CNF202		

PART NOTES:

- [1] - Includes front panel bottom cap, front panel top cap and screws.
- [2] - Includes front panel top cap, front panel bottom cap and screws.
- [3] - Solid Front Panel - hides the "Push Buttons"
Includes Solid Front Panel (no window).Front Panel Top Cap, Front Panel Bottom Cap, Screws
- [4] - Includes right side panel, side panel trim, retainer push on ss 0.25 shaft, screws and keps nuts.
- [5] - Includes left side panel, side panel trim, retainer push on ss 0.25 shaft, screws and keps nuts.
- [6] - mounts back panel
- [7] - Top Cover
- [8] - inside

CNF0201 CNF0202 - Panels