



# **Manitowoc<sup>®</sup>**

# **Parts Manual**

---

800-544-5720  
WWW.MANITOWOCICE.COM

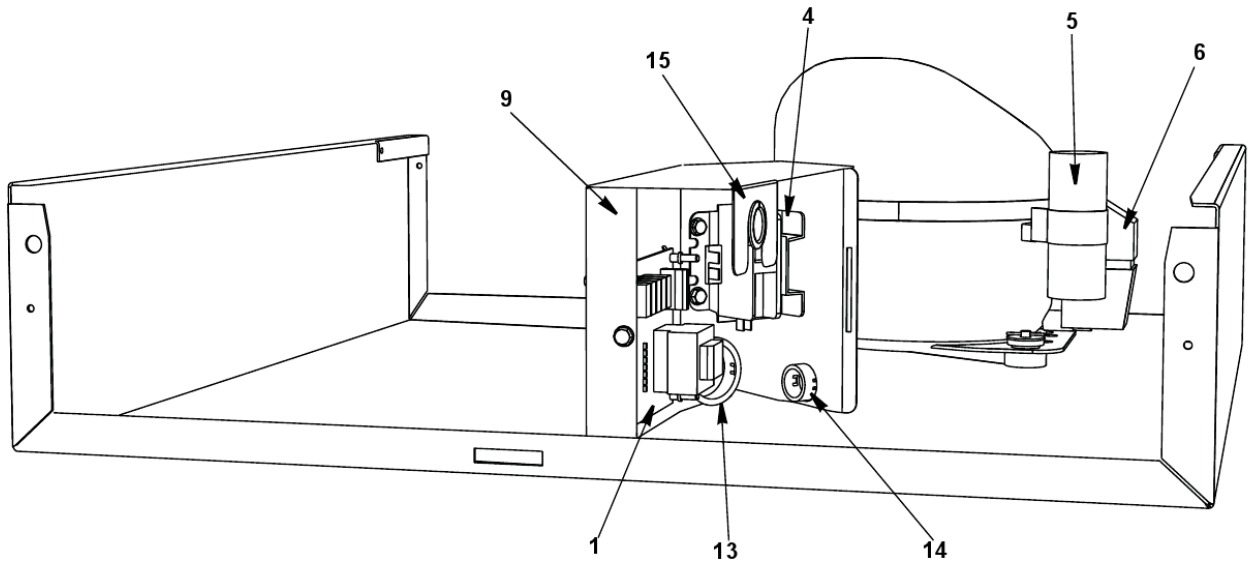
For more Parts Information:  
<https://manitowocice.sysonline.com/Default.aspx>

# TABLE OF CONTENTS

UF0190	
UF0190 - Control Box Components .....	1
UF0190 - Evaporator Compartment - Common Components .....	3
UF0190 - Refrigeration Compartment - Common Components .....	6
UF0190 - Refrigeration Compartment - Air-cooled Components .....	9
UF0190 - Panels .....	11

# UF0190

## UF0190 - Control Box Components



# UF0190

## UF0190 - Control Box Components

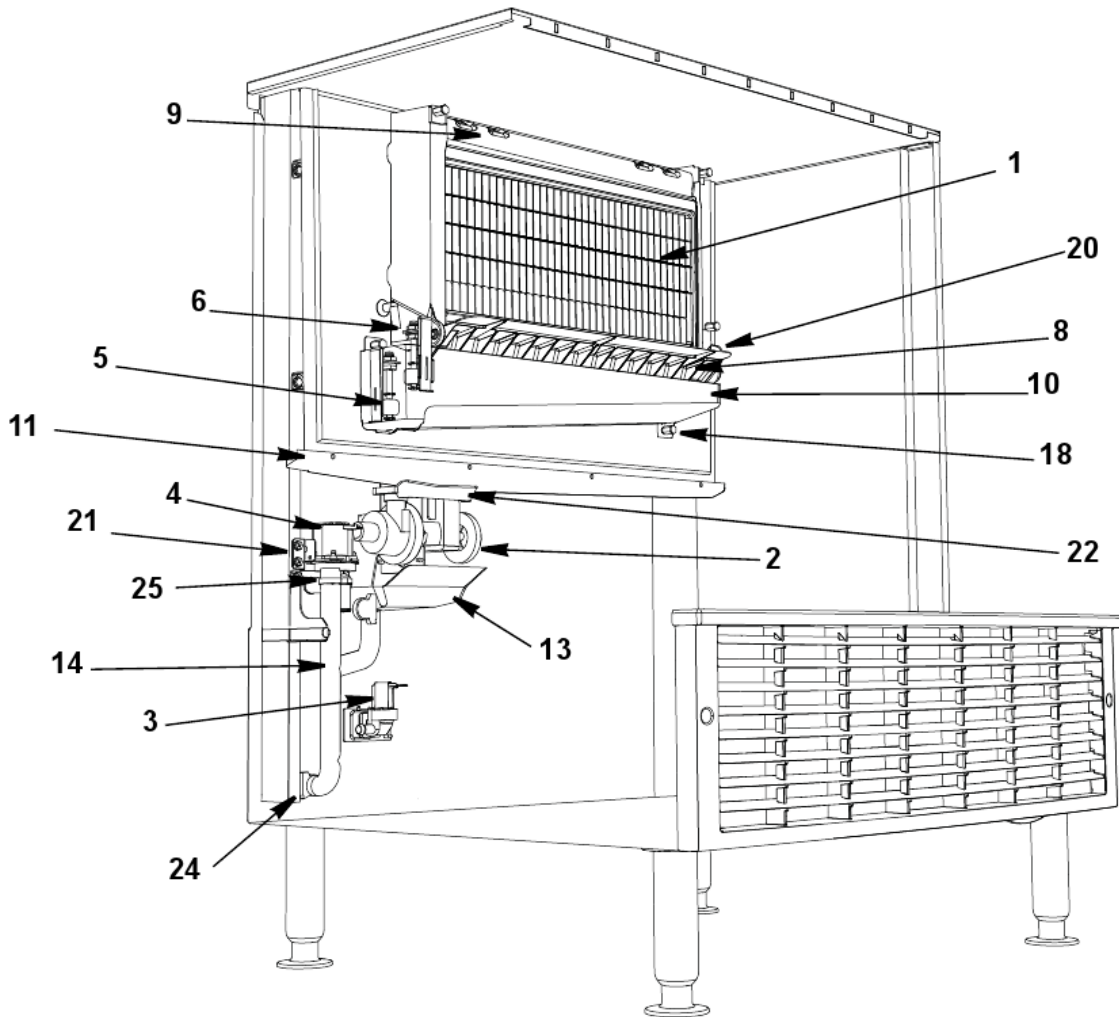
#	PART #	DESCRIPTION	QTY	Note
1	000015302	Control Board Assembly		[1]
1a	000015010	Fuse - 3.15A		
2	000015586	Thermistor Kit		
3		Wiring Harnesses - Control Board		
3a	040002052	Wiring Harness - Control Board to Sensors		
3b	000012046	Wiring Harness - Control Board to Touch Pad		
4		Contactor		
4a	2006569	Contactor - 115V/60 Hz/1 Ph		
4b	2006579	Contactor - 230V/50-60 Hz/1 Ph		
5		Start Capacitor		
5a	000002901	Start Capacitor - 115V/60 Hz/1 Ph		
5b	040000674	Start Capacitor - 230V		
6		Current Relay		
6a	000002899	Current Relay with Overload - 115V/60 Hz/1 Ph		
6b	000002900	Current Relay without Overload - 230V		
6c	8251333	Compressor Cover		
7		Wiring Harness		
7a	040004016	Wiring Harness - Air-cooled		
8		Power Cord		
8a	2006863	Power Cord - 115V/60 Hz		
8b	2033023	Power Cord - 230V/50-60 Hz		
8c	040005840	Power Cord - Flat Blades (AUS)		
8d	2512043	Strain Relief		
9	040002028	Control Box		
10	040002029	Control Box Cover		
11	4302253	Control Board Mounting Supports		
12	5202329	Screw - #10-24 x 0.25" PHIL		
12a	5573209	Star Washer		
13	2500139	Bushing - 1.5"		
14	2501409	Bushing - 0.875"		
15	040002479	Bushing - OSB-22		

### PART NOTES:

[1] - Includes board and instructions.

# UF0190

## UF0190 - Evaporator Compartment - Common Components



# UF0190

## UF0190 - Evaporator Compartment - Common Components

#	PART #	DESCRIPTION	QTY	Note
1		Evaporator Assembly		
1a	000011554	Evaporator - Regular Cube		
1b	000011553	Evaporator - Dice Cube		
1c	000011552	Evaporator - Half Dice Cube		
2		Water Pump		
2a	040006556	Water Pump - 115V/60 Hz		
2b	040006558	Water Pump - 208-230V/60 Hz		
2c	040006557	Water Pump - 230V/50 Hz		
2d	040002833	Water Pump Flow Restrictor		
3		Water Inlet Valve		
3a	040003579	Water Inlet Valve - 115V/60 Hz		
3b	040003580	Water Inlet Valve - 230V/50-60 Hz/1 Ph		
3c	040003385	Mylar Shield		
4		Water Dump Valve		
4a	000014062	Water Dump Valve - 115V/60 Hz		
4b	000014063	Water Dump Valve - 208-230V/50-60 Hz		
5	040002396	Harvest Float Switch		
5a	040003386	Bracket - Float Switch		
6	040001783	Ice Thickness Float Switch		
6a	040004206	Bracket - Ice Thickness Float Switch		
7	040002393	Magnetic Bin Switch		
8	000011555	Ice Damper		
9	000009075	Water Distribution Cover		
10	040004058	Water Trough		
10a	040002014	Fitting - Water Trough		
10b	040004330	O-ring - 0.8" x 0.07"		
11	040006449	Rear Trough		
13	040006053	Drain Sink		
14	040002013	Drain Tube		[1]
14a	040007039	Drain Tube		[2]
14b	040006966	Drain Tube		[2]
15	040002012	Trough Tube		[3]
16	040002011	Water Tube (water pump to evaporator)		[4]
16a	040004875	Insulation - Water Tube		
17	040002452	Water Inlet Valve Tubing		
18	040001217	Thumbscrew - #8-32 x 0.625"		
19	5202069	Screw - #10-24 x 0.5" HEX		
20	000009053	Evaporator Side Damper Mount		
21	040001995	Bracket - Water Dump Valve		
22	040006395	Bracket - Water Pump		
23	000005423	Female Wing Adapter - 0.5"		
23a	040006396	Adapter Bracket - Water Pump		
24	5650649	Spray Bar Clamp		
25	5650709	Snap Clamp - 0.799"/0.899" ID		
26	000015586	Thermistor Kit		
27	040005964	Mylar Shield - Trough		

---

## UF0190 - Evaporator Compartment - Common Components

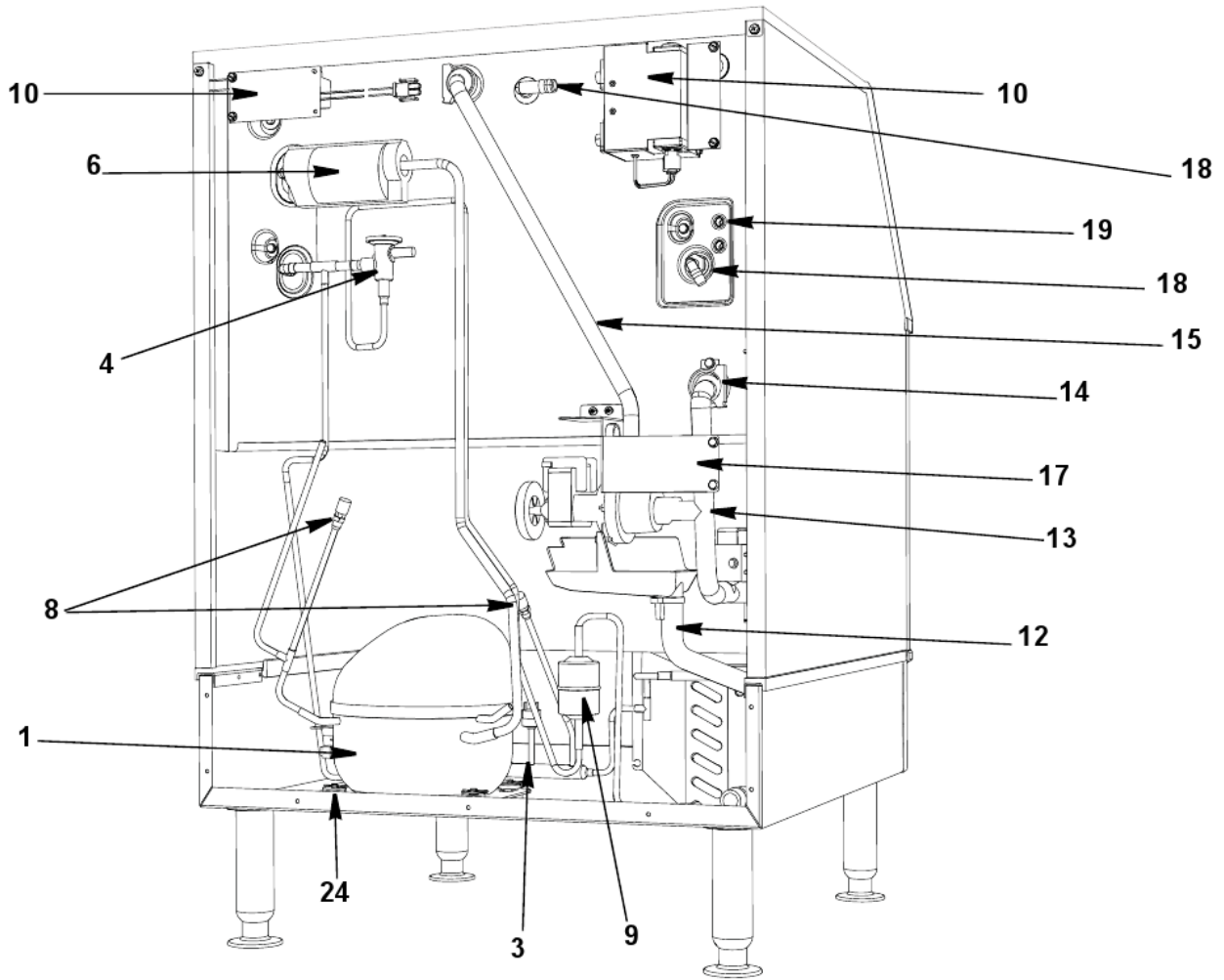
# UF0190

## UF0190 - Evaporator Compartment - Common Components

#	PART #	DESCRIPTION	QTY	Note
<b>PART NOTES:</b>				
[1]	-	connects drain sink, dump valve and bin		
[2]	-	After SN 310508321		
[3]	-	connects water trough to water pump & dump valve		
[4]	-	water pump to evaporator		

# UF0190

## UF0190 - Refrigeration Compartment - Common Components



# UF0190

## UF0190 - Refrigeration Compartment - Common Components

#	PART #	DESCRIPTION	QTY	Note
1		Compressor		
1a	040002765	Compressor - Danfoss - 115V/60 Hz/1 Ph		[1]
1b	000002899	Current Relay with Overload - 115V/60 Hz/1 Ph		
1c	000002901	Start Capacitor - 115V/60 Hz/1 Ph		
1d	040000434	Compressor - 208-230V/50-60 Hz		
1e	000002900	Current Relay without Overload - 230V		
1f	040000674	Start Capacitor - 230V		
2		Harvest Valve		
2a	040000689	Harvest Valve - 115V/60 Hz		
2b	040000101	Harvest Valve Coil Only -115V/60 Hz/1 Ph		
2c	040000690	Harvest Valve - 230V/50-60 Hz/1 Ph		
2d	040000103	Harvest Valve Coil Only - 230V/50-60 Hz/1 Ph		
3	000013579	High Pressure Cut-out		
4	000011557	Expansion Valve		
4a	3000833	Strap - Expansion Valve Bulb - 0.375"		
5	000012443	Valve Insulation Boot - Body		
6	4007203	Valve Insulation Boot - Bulb		
7	040007601	Manifold Strainer		
8	8373253	Access Valve		
9	8930259	Drier - 0.25"		
10	K00425	LuminIce I - Bulb		
10a	K00454	LuminIce II - Bulb		
11	040002442	Bracket - Valve		
12	040002013	Drain Tube		[2]
12a	040007039	Drain Tube		[3]
12b	040006966	Drain Tube		[3]
13	040002012	Trough Tube		[4]
14	040002014	Fitting - Water Trough		
14a	040004330	O-ring - 0.8" x 0.07"		
15	040002011	Water Tube (water pump to evaporator)		
15a	040004875	Insulation - Water Tube		
16	040002452	Water Inlet Valve Tubing		
17	040004118	Bracket - Water Pump		
18	040003535	Water Adapter Assembly		
19	040002382	Wire Bushing		
20		Snap Clamps		
21	5650539	Snap Clamp - 1.123 x 1.296		
22	5650529	Clamp - Expansion Valve Bulb		
23	5202069	Screw - #10-24 x 0.5" HEX		
24		Compressor Mounting		
24a	8503069	Mounting - Rubber Grommet		
24b	5573099	Mounting - Flatwasher		
24c	3712109	Compressor Clevis Pin - 0.25" x 1.0"		
24d	5648289	Compressor Hairpin Clip		
24e	5648269	Compressor Mounting Retainer		
24f	8503949	Mounting - Sleeve		

UF0190 - Refrigeration Compartment - Common Components

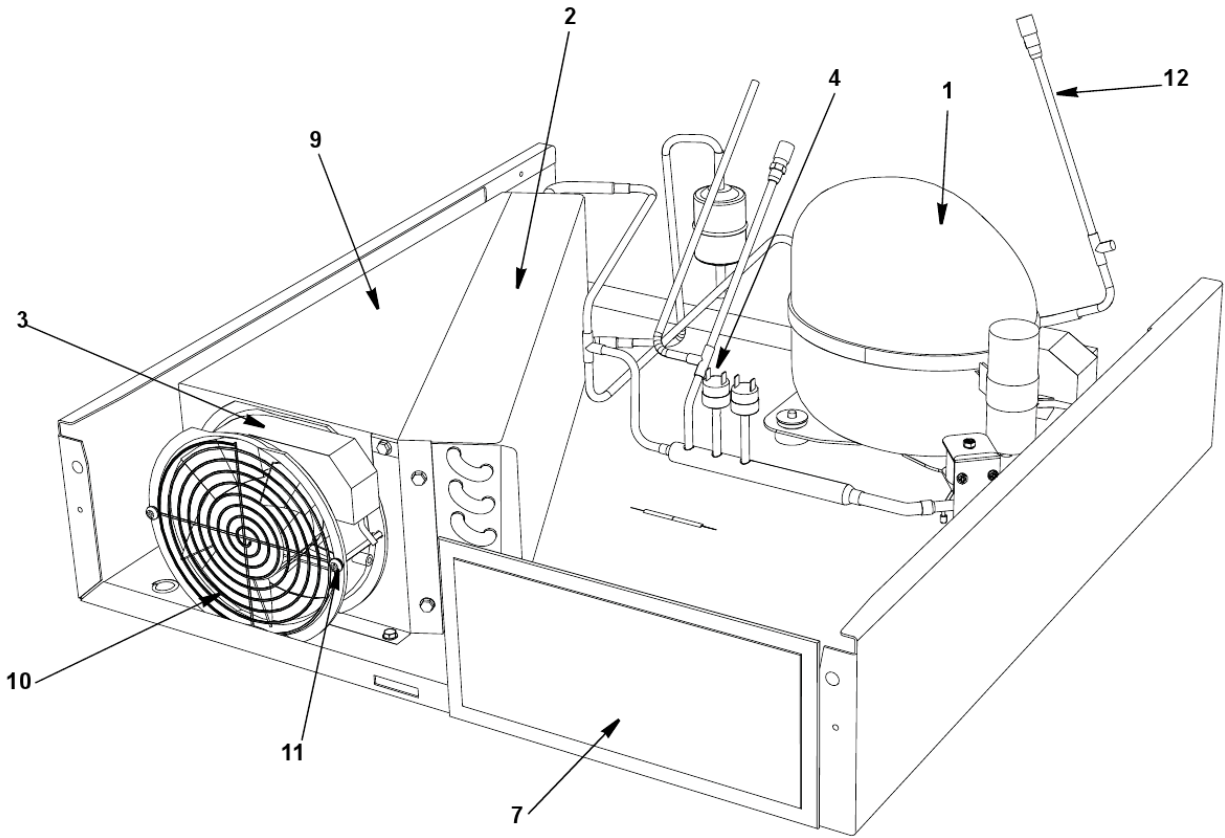
# UF0190

## UF0190 - Refrigeration Compartment - Common Components

#	PART #	DESCRIPTION	QTY	Note
<b>PART NOTES:</b>				
[1]	-	Includes Start Components		
[2]	-	connects drain sink, dump valve and bin Before SN 310508321		
[3]	-	After SN 310508321		
[4]	-	connects water trough to water pump & dump valve		

# UF0190

## UF0190 - Refrigeration Compartment - Air-cooled Components



UF0190 - Refrigeration Compartment - Air-cooled Components

# UF0190

## UF0190 - Refrigeration Compartment - Air-cooled Components

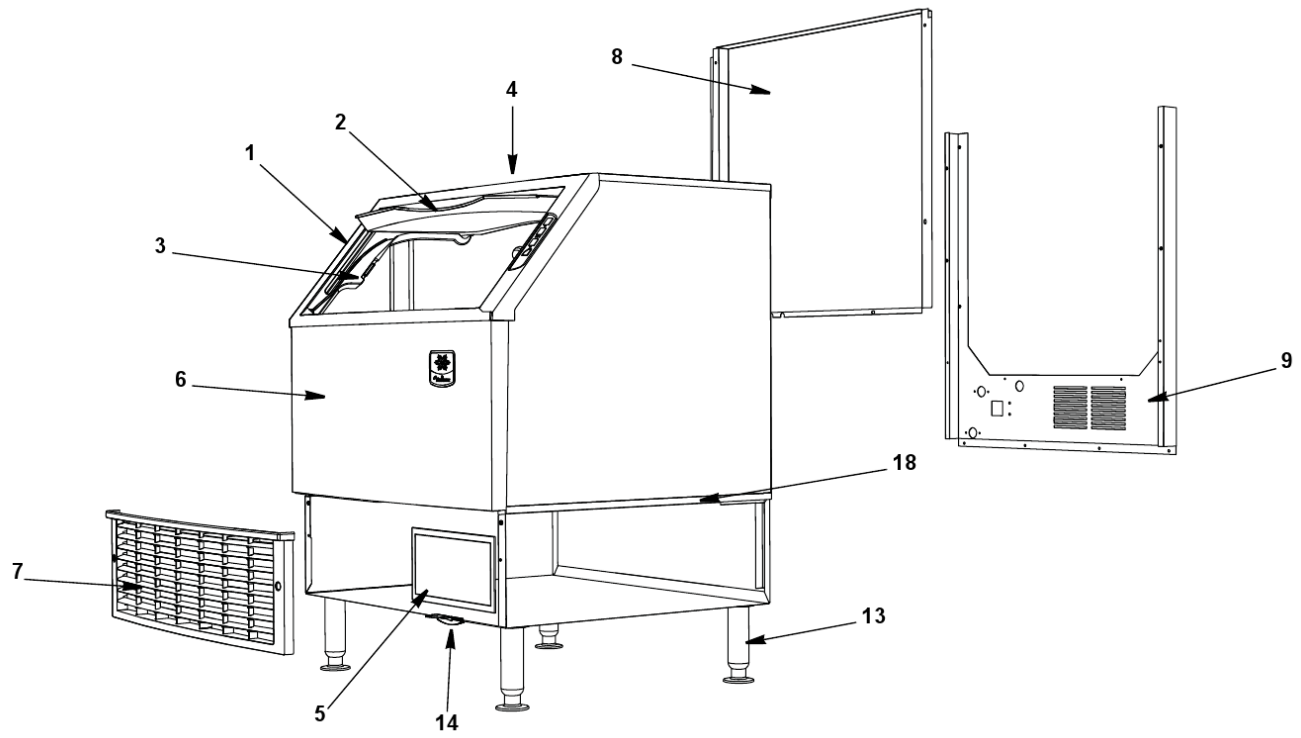
#	PART #	DESCRIPTION	QTY	Note
1		Compressor		[1]
2	040001986	Air Condenser		
3		Fan Motor with Blade		
3a	040001943	Fan Motor - 115V		
3b	040001944	Fan Motor - 230V		
4	000013508	Fan Cycling Control - 200-250 psig		
5	000013579	High Pressure Cut-out		
6	8930259	Drier - 0.25"		
7	040002435	Air Filter - 11.26" x 5.47"		
8	040003184	Air Deflector		
9	040002031	Fan Shroud		
10	040002384	Fan Guard		
11	040002451	Mounting - Bolts		
12	8373253	Access Valve		
13	040002910	Bracket - Air Filter		

**PART NOTES:**

[1] - Refer to COMMON PARTS Page

# UF0190

## UF0190 - Panels



# UF0190

## UF0190 - Panels

#	PART #	DESCRIPTION	QTY	Note
1	040003501	Door Frame with Touch Pad		
2	040004168	Door		
3	040004329	Door Track Assembly		
4	040004167	Top Cover		
5	040002435	Air Filter - 11.26" x 5.47"		
6	040004104	Cabinet Assembly		
7	040004274	Front Lower Covered Panel (grill)		[1]
7a	040003306	U-Clip		
8	040005608	Back Panel - Upper		
9	040005612	Back Panel - Lower		[2]
9a	040007341	Back Panel - Lower - Air-cooled		[3]
10	5202069	Screw - #10-24 x 0.5" HEX		
11	040002930	Ice Scoop - Small - 22 ounces		
12	040002033	Holder - Ice Scoop		
13		Legs - Refer to Sales Price List		
14	040002910	Bracket - Air Filter		
15	040003667	Bracket - Top Cover		
16		Side Panel Brackets		
16a	040003312	Bracket - Side Panel - Right		
16b	040003314	Bracket - Side Panel - Left		
17		Door Track Brackets		
17a	040002046	Bracket - Door Track - Right		
17b	040002047	Bracket - Door Track - Left		
17c	5202099	Screw - #10-24 x 0.5" PHIL		
18		Cabinet Track Brackets		
18a	040001773	Bracket - Cabinet Track - Right		
18b	040001774	Bracket - Cabinet Track - Left		
19	040002020	Bulkhead Gasket		[4]
20	040005812	Cartoning		

### PART NOTES:

- [1] - Includes air filter catch
- [2] - Before SN 310512914
- [3] - After SN 310512914
- [4] - seals bulkhead to bin