



Manitowoc[®]

Parts Manual

800-544-5720
WWW.MANITOWOCICE.COM

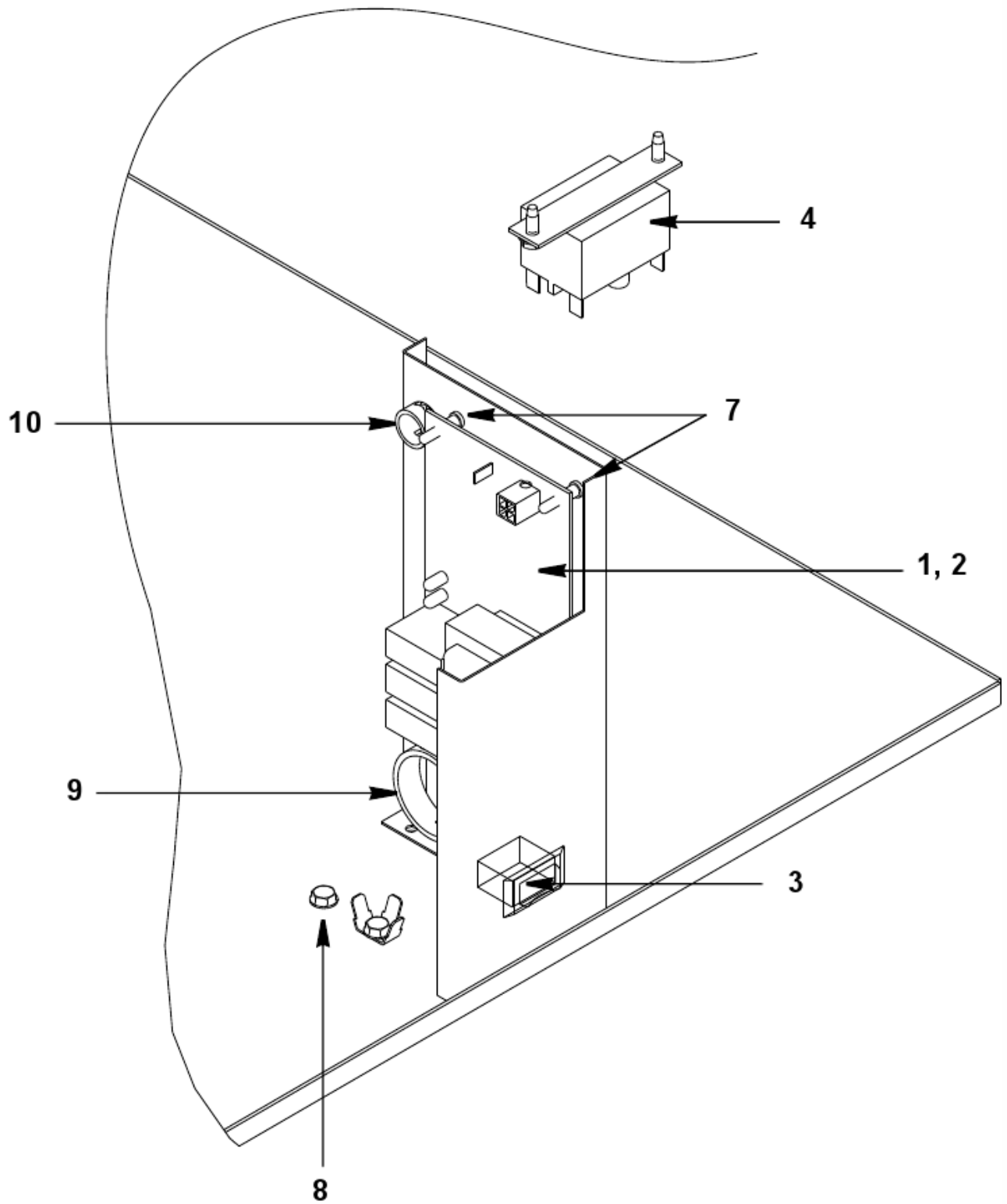
For more Parts Information:
<https://manitowocice.sysonline.com/Default.aspx>

TABLE OF CONTENTS

UE0080 / UP0080	
UE0080/UP0080 - Control Box.....	1
UE0080/UP0080 - Evaporator Compartment.....	3
UE0080/UP0080 - Refrigeration Compartment.....	5
UE0080/UP0080 - Air-cooled Components.....	7
UE0080/UP0080 - Panels.....	9

UE0080 / UP0080

UE0080/UP0080 - Control Box



UE0080/UP0080 - Control Box

UE0080 Control Box

Manitowoc

UE0080 / UP0080

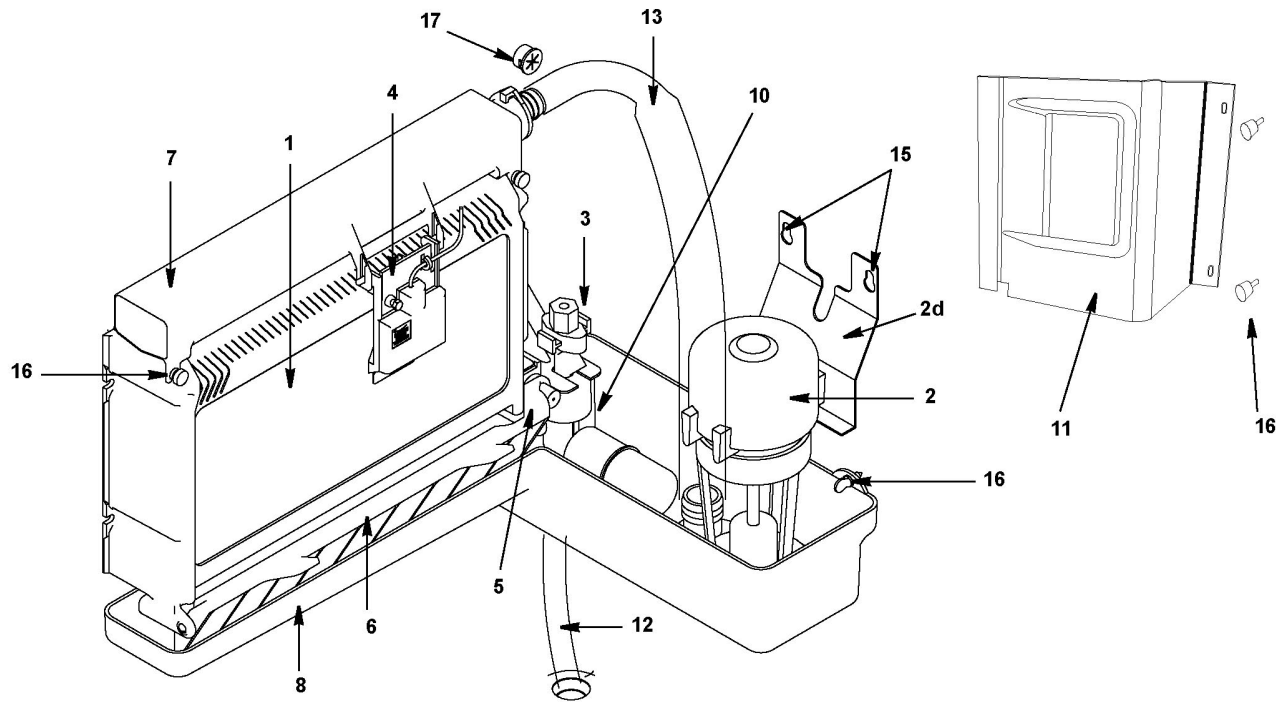
UE0080/UP0080 - Control Box

#	PART #	DESCRIPTION	QTY	Note
1	7629073	Control Board		
2	2511493	Fuse - 10A		
3	2301513	Toggle Switch		
3a	2032483	Wiring Harness - Toggle Switch		
3b	040005844	Bracket - Toggle Switch		
4	8505533	Relay - 115V/60 Hz/1 Ph		
4a	8505543	Relay - 230V/50-60 Hz/1 Ph - R290		
5	040005888	Wiring Harness		
6		Power Cord		
6a	2006863	Power Cord - 115V/60 Hz		
6b	2033023	Power Cord - 230V/50-60 Hz		
7	4302253	Control Board Mounting Supports		
8	5202329	Screw - #10-24 x 0.25" PHIL		
9	2500139	Bushing - 1.5"		
10	2502189	Bushing - 0.625"		

UE0080/UP0080 - Control Box

UE0080 / UP0080

UE0080/UP0080 - Evaporator Compartment



UE0080/UP0080 - Evaporator Compartment

UE0080 / UP0080

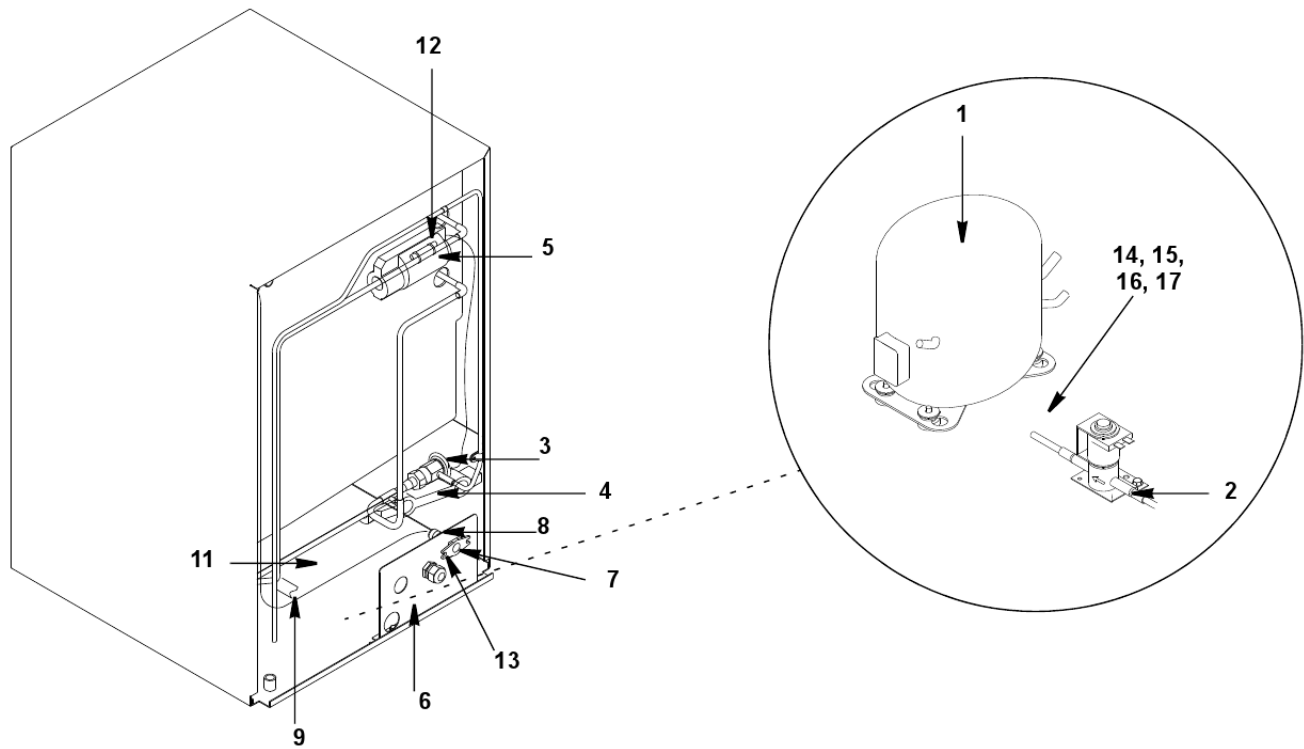
UE0080/UP0080 - Evaporator Compartment

#	PART #	DESCRIPTION	QTY	Note
1		Evaporator Assembly		
1a	7629463	Evaporator - Dice Cube		
2		Water Pump		
2a	7623063	Water Pump - 115V/60 Hz		
2b	040000946	Water Pump - 230V/50-60 Hz		
2c	040001514	Water Pump Mounting Plate		
3	8369049	Float Valve Assembly		
3a	8369069	Float Valve Screen		
3b	8369089	Float Valve Plunger		
3c	5650729	Compression NutFloat Valve		
3d	7621403	BracketFloat Valve		
4	7601603	Ice Thickness Control Probe Assembly w/14.0' Lead		
5	2301483	Magnetic Bin Switch		
6	7600493	Ice Damper		
6a	7629093	Magnet and Cap		
7	000007163	Water Distribution Tube - QM45/Q130		
8	040001233	Water Trough		
9	4420291	Tygon Tube - 0.25" OD		
10	4302223	Siphon Cap		
11	000006754	Water Pump Cover		
12	7600863	Drain Tube		
13	040001234	Tubing Water Pump		
14	5202189	Screw - #10-24 x 0.75"Evaporator Mounting -		
15	5202069	Screw - #10-24 x 0.5" HEX		
16	040001217	Thumbscrew - #8-32 x 0.625"		
17	2500169	Bushing - 0.91" OD x 0.44" ID		
		Water Pump Lead		
18a	2078063	Water Pump Lead - 115V/60 Hz		
18b	040000847	Water Pump Lead - 208-230V/50-60 Hz		

UE0080/UP0080 - Evaporator Compartment

UE0080 / UP0080

UE0080/UP0080 - Refrigeration Compartment



UE0080/UP0080 - Refrigeration Compartment

UE0080 / UP0080

UE0080/UP0080 - Refrigeration Compartment

#	PART #	DESCRIPTION	QTY	Note
1		Compressor		
1a	040005866	Compressor - Embraco - 115V/60 Hz/1 Ph		[1]
1aa	040005870	Overload - 115V		
1ab	040005869	Start Capacitor - 115V		
1ac	040005871	Relay - 115V		
1b	040000175	Compressor - Embraco - 230V/50 Hz/1 Ph		
1ba	040000190	Overload - 230V		
1bb	040000188	Relay - 230V		
1c	040006733	Compressor - 220-240V/50-60 Hz - R290		
1ca	040006747	Start Relay - R290		
1cb	040006748	Overload Protector - R290		
1cc	040006749	Start Capacitor - 230V- R290		
2		Harvest Valve		
2a	040008538	Harvest Valve with Coil - 115V/60 Hz/1 Ph		
2b	040000101	Harvest Valve Coil Only -115V/60 Hz/1 Ph		
2d	040008539	Harvest Valve with Coil - 230V/50-60 Hz/1 Ph		
2e	040000103	Harvest Valve Coil Only - 230V/50-60 Hz/1 Ph		
3	000015426	Expansion Valve - UDE0080-161		
3a	7629503	Expansion Valve - UDE0080-251		
3b	000016041	Expansion Valve - UDP0080-251		
4	4000363	Valve Insulation Boot - Body		
5	4007203	Valve Insulation Boot - Bulb		
6	040005368	Coupling Panel - Water/Electrical Connections		
7	8706093	Female Wing Adapter - 0.375"		[2]
7a	040001088	Water Supply Hose		
8	1360961	Male Connector - 0.375"		
9	4421443	Bin Drain Tubing - 0.625 ID		
10	5650709	Snap Clamp - 0.799"/0.899" ID		
11	4420291	Tygon Tube - 0.25" OD		
12	5650529	Clamp - Expansion Valve Bulb		
13	5202069	Screw - #10-24 x 0.5" HEX		
14	5648269	Compressor Mounting Retainer		
15	5573179	Compressor Mounting Washer		
16	3712109	Compressor Clevis Pin - 0.25" x 1.0"		
17	5648289	Compressor Hairpin Clip		

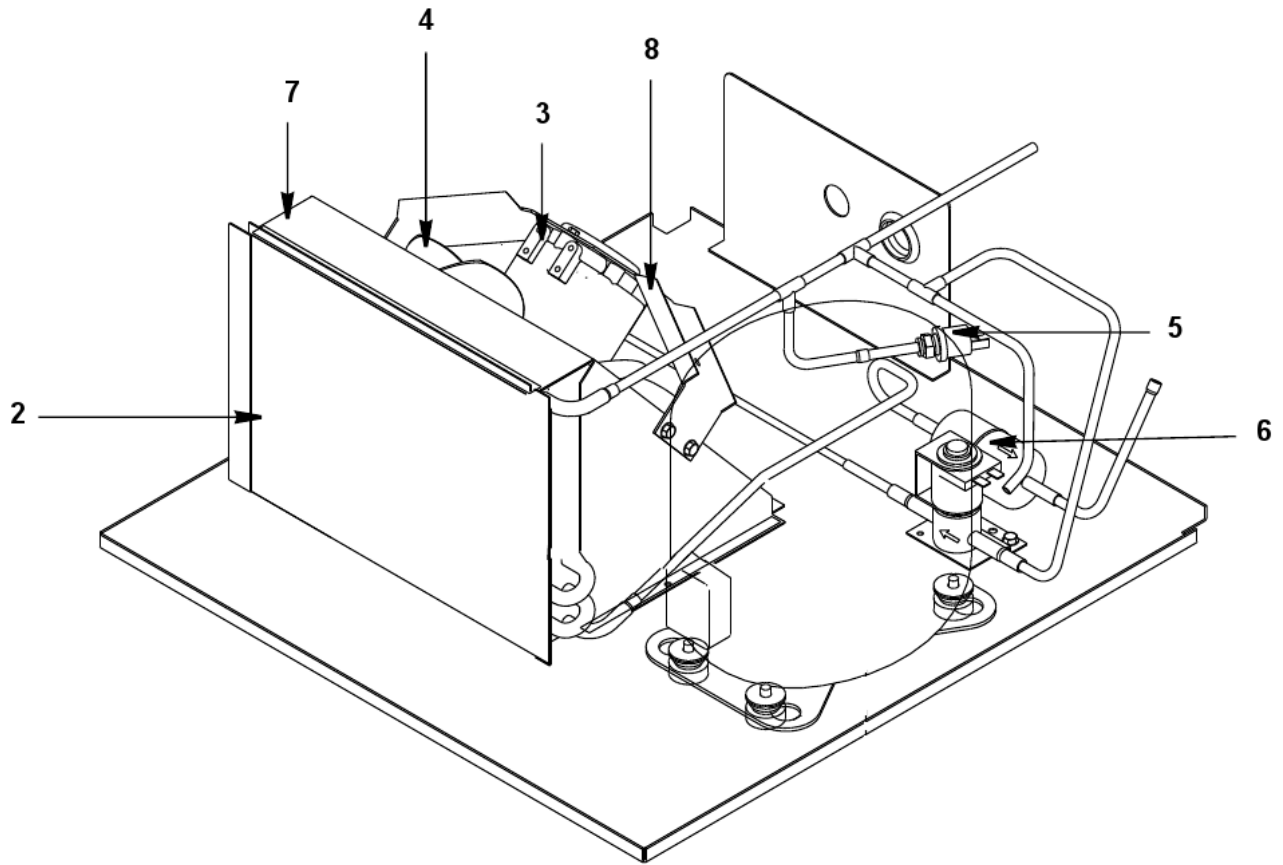
PART NOTES:

- [1] - Includes Start Components
- [2] - Brass

If replacing a nylon fitting you must order 1360961

UE0080 / UP0080

UE0080/UP0080 - Air-cooled Components



UE0080/UP0080 - Air-cooled Components

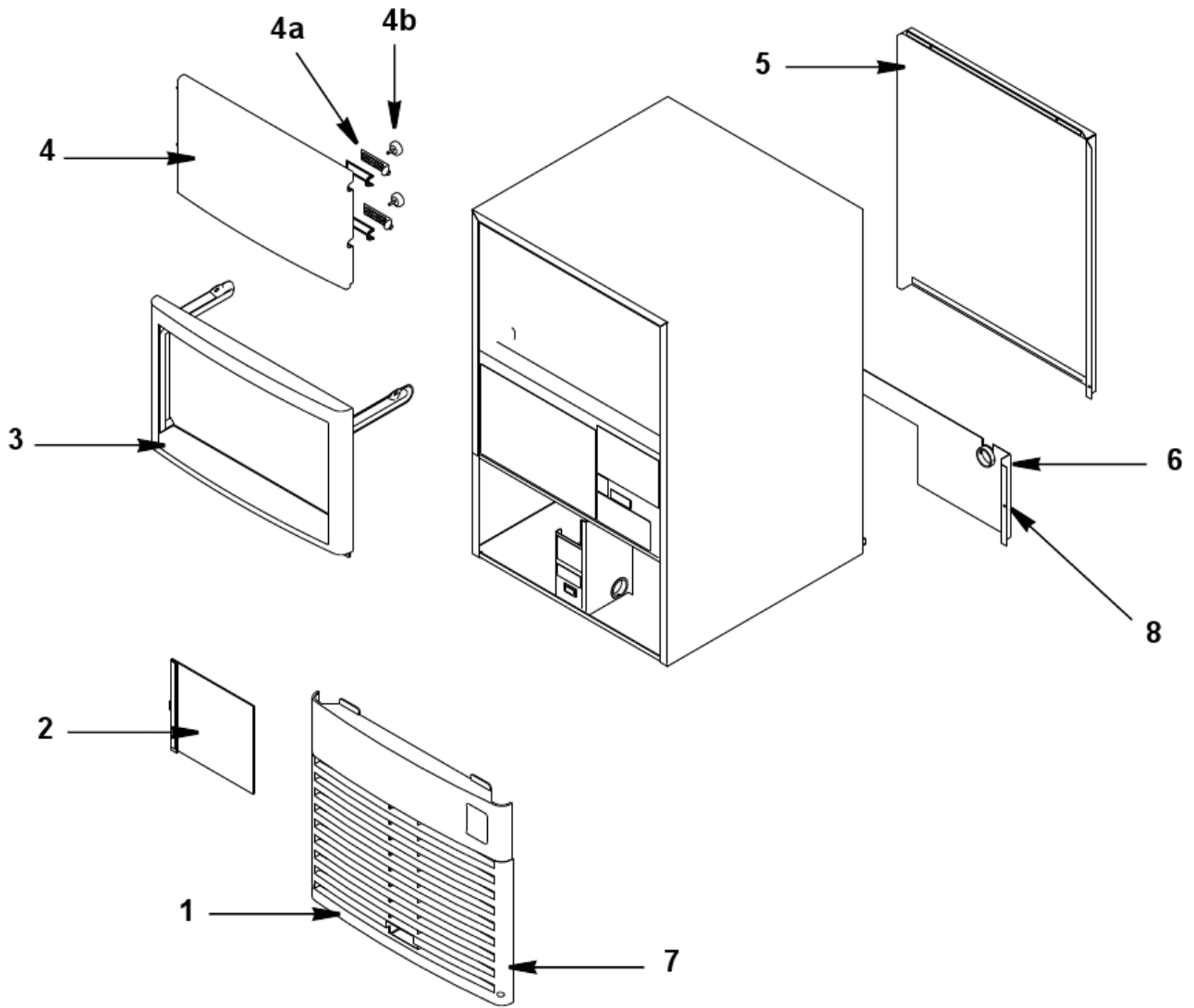
UE0080 / UP0080

UE0080/UP0080 - Air-cooled Components

#	PART #	DESCRIPTION	QTY	Note
2	8851353	Air Condenser		
3		Fan Motor		
3a	2000223	Fan Motor - 115V/60 Hz		
3b	2000219	Fan Motor - 208-230V/50-60 Hz		
3c	5005513	Nut - M4 x 0.7 mm		
4	3005659	Fan Blade		
5	000013580	Fan Cycle Control		
5a	000013507	Fan Cycling Control - 150-200 psig - R290		
6	8930259	Drier - 0.25"		
7	6029381	Fan Shroud		
8	6061749	Fan Motor Mounting Bracket		
8a	5202069	Screw - #10-24 x 0.5" HEX		

UE0080 / UP0080

UE0080/UP0080 - Panels



UE0080 / UP0080

UE0080/UP0080 - Panels

#	PART #	DESCRIPTION	QTY	Note
1	040006847	Front Panel Assembly		
2	7629223	Air Filter - 8.25" x 7.66"		
3	040000627	Door Frame Assembly		
4	040002220	Bin Door		
4a	7629233	Door Pin Gasket and Door Pin Assembly		
4b	5012353	Door Pin Thumbscrews		
5	6047101	Back Panel, Upper		
6	6029461	Back Panel, Lower		
7	5202239	Screws - #8 x 0.75"		[1]
7a	5474893	Tinnerman Clip - #8		
8	5121539	Panel/Condenser Mounting Screw - #8 x 0.5"		
9	3302583	Ice Scoop - Extra Small - 6 ounces		
10	7200193	Carton Assembly		

PART NOTES:

[1] - Pack of 10