

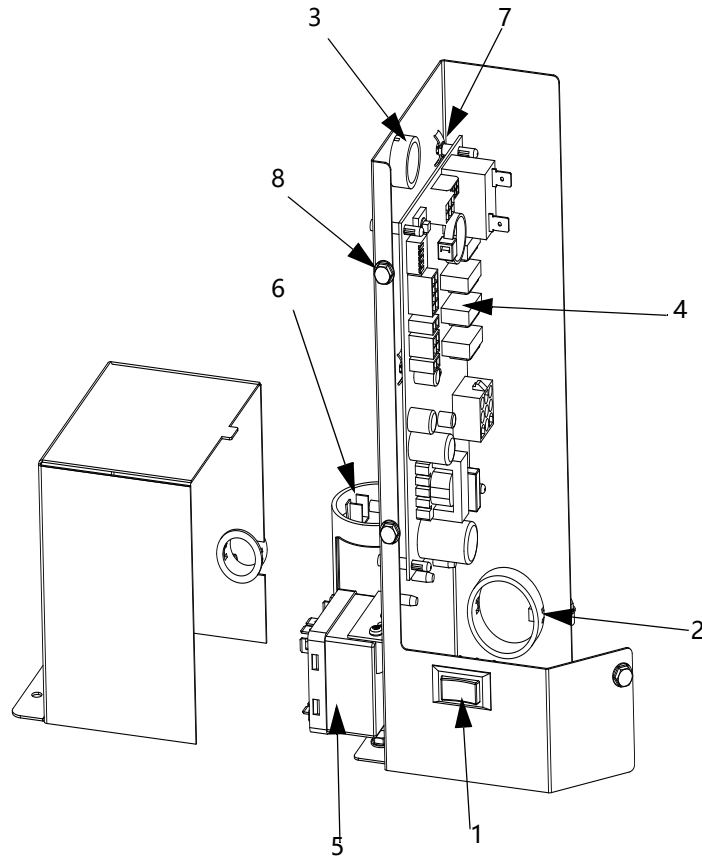


Ice Machine Parts List for Series UG0080 Models

UGF0080

UGP0080

UGF0080 CONTROL BOX



DESCRIPTION

	PART NO.
1 Toggle Switch	
a. Toggle Switch	2301513 ^[1]
b. Toggle Switch	040005440 ^[2]
2 Bushing, SB1500-21/2240	2500139
3 Bushing, SB875-11/2126	2501409
4 Control Board	
a. Control Board	040002984 ^[1]
b. Control Board	040005521 ^[2]
5 Start Relay	000002136
6 Start Capacitor	000000022
7 Control Board Mounting Supports	4302253
8 Screw	5202329

Miscellaneous – Brackets, Screws, etc.—Not Shown

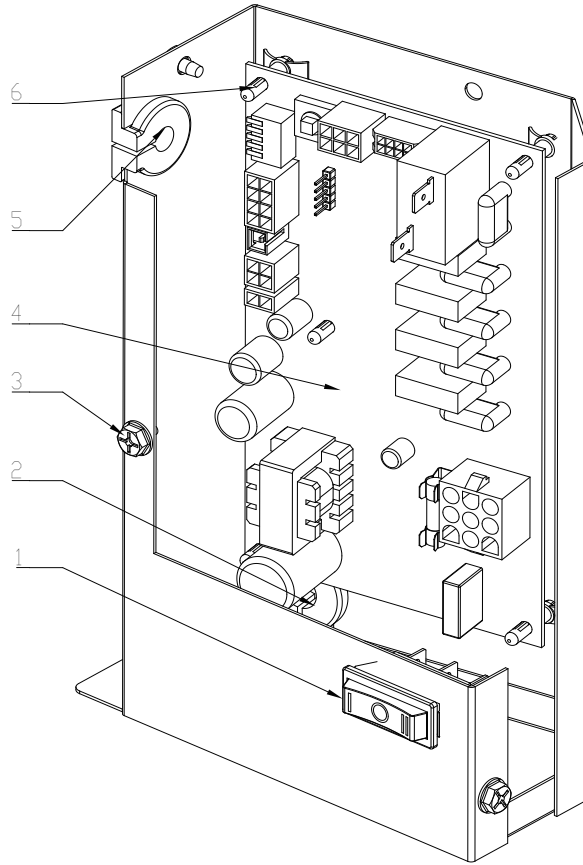
9 Wiring Harness, Main 230V/50-60Hz,	040003441
10 Wiring Harness, Toggle Switch	040003438
11 Jump Wire	
a. 230V/50, UG080A	040003065
b. 230V/60, UG080A	040003435

NOTES:

[1] Before Serial number 310370498.

[2] After Serial number 310370498.

UGP0080 CONTROL BOX



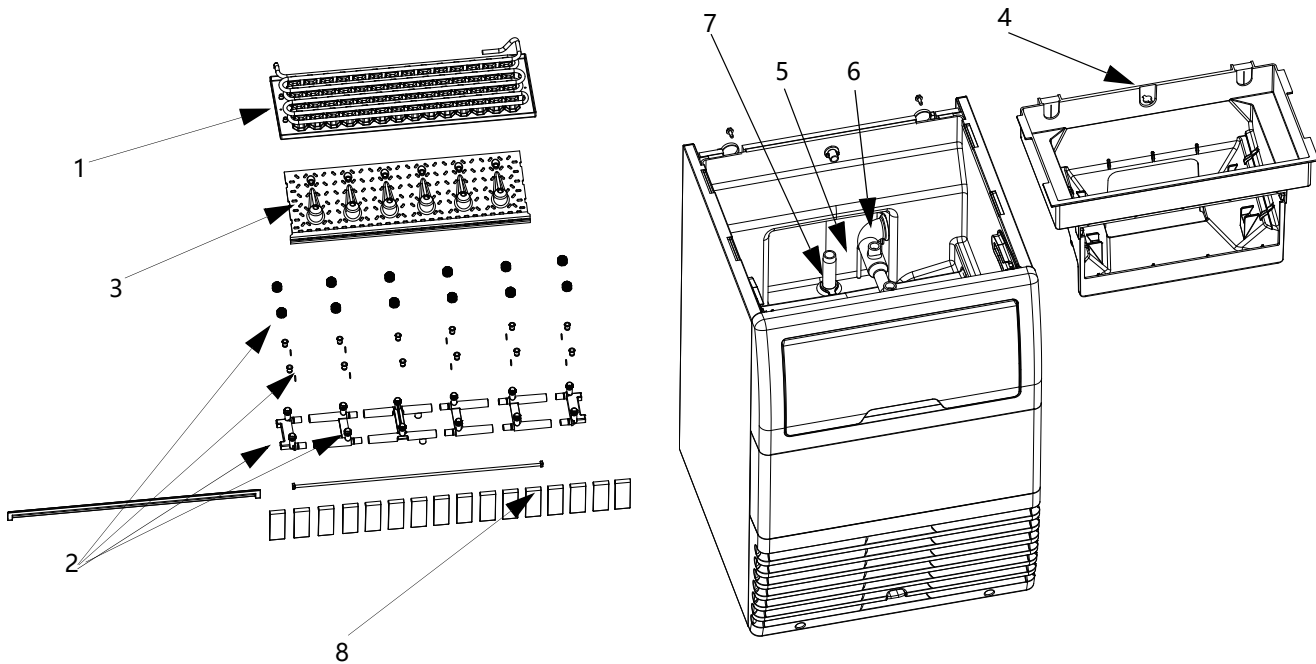
DESCRIPTION

DESCRIPTION	PART NO.
1 Toggle Switch.....	.040005440
2 Screw5202329
3 Control Board.....	.040006639
4 Protection Grommet 23*23.....	.040006595
5 Control Board Mounting Supports4302253

Miscellaneous – Wire (Not Shown)

6 Wiring Harness, Main.....	.040006638
7 Wiring Harness, Toggle Switch040003438
8 Jump Wire(230V/50Hz)040003065

UG0080 EVAPORATOR ASSEMBLY



DESCRIPTION

	PART NO.
1 Evaporator Assembly -Standard	040004466
2 Spray Bar Assembly	040004661
3 Ice Ramp	040003492
4 Evaporator Housing Assembly	040003591
5 Water Level NTC Thermistor	040003055
6 Tubing (Water Pump Out)	000000959
7 Standpipe Assembly	
a. Standpipe	4015199
b. Plug	040000096
c. Drain Screen	4014933
8 Curtain Assembly	
a. Paddle	040003482[1]
b. Rod	040003610
c. Cover.evap/Hanger	040003483
9 Bin Full NTC Thermistor Assembly (not shown)	040004978

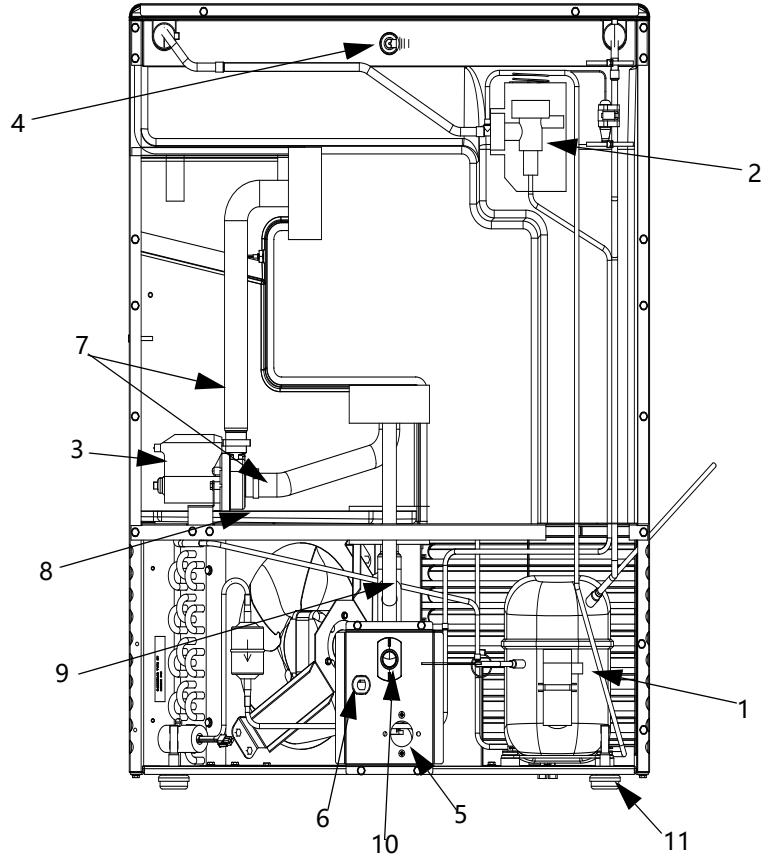
Miscellaneous – Brackets, Screws, etc.—Not Shown

10 Water Inlet Diverter	6072481
-------------------------------	---------

NOTE:

[1] 16 paddles used on UG80.

UG0080 REFRIGERATION COMPARTMENT – COMMON PARTS

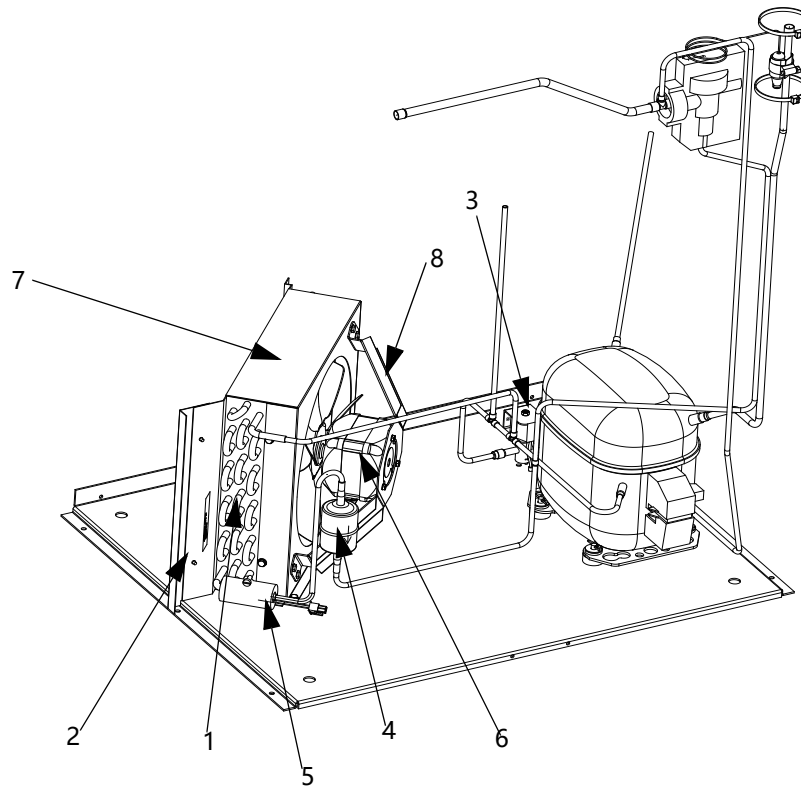


DESCRIPTION	PART NO.
1 Compressor	
1a Compressor 230,50/60,1 Danfoss	7601373 ^[1]
a. Start Capacitor-330 VAC	000000022
b. Start Relay	000002136
1b Compressor NEU6217U 230V/50	040006736 ^[2]
a. Start Capacitor	040006761
b. Start Relay	040006762
c. Overload Protector	040006763
2 Expansion Valve	
a. Expansion Valve	7603473 ^[1]
b. Expansion Valve	000015753 ^[2]
3 Water Pump	
a. 220V/50Hz	040005217
b. 220V/60Hz	040005218
4 Evaporator Water Inlet Fitting	040004041
5 Water Inlet Valve	
a. 230/50-60Hz UG065A	000006441
b. Mylar Shield	000000827
6 Strain Relief	2512043
7 Vinyl Tubing	
a. Pump to Spray Bar	000000959
b. Sump to Pump	000000960
c. Clamp	5000493
8 Condensate Tray	040004235
9 Bin Drain Tube	040002549
10 Drain Fitting Barbed	4011289
11 Leg	5005253
12 Water Inlet Tubing .375 ID×45"L	000006438
Miscellaneous – Brackets, Screws, etc.-Not Shown	
13 Screw M4×0.7 x 7 mm (mounts water inlet valve)	5004429

NOTE:

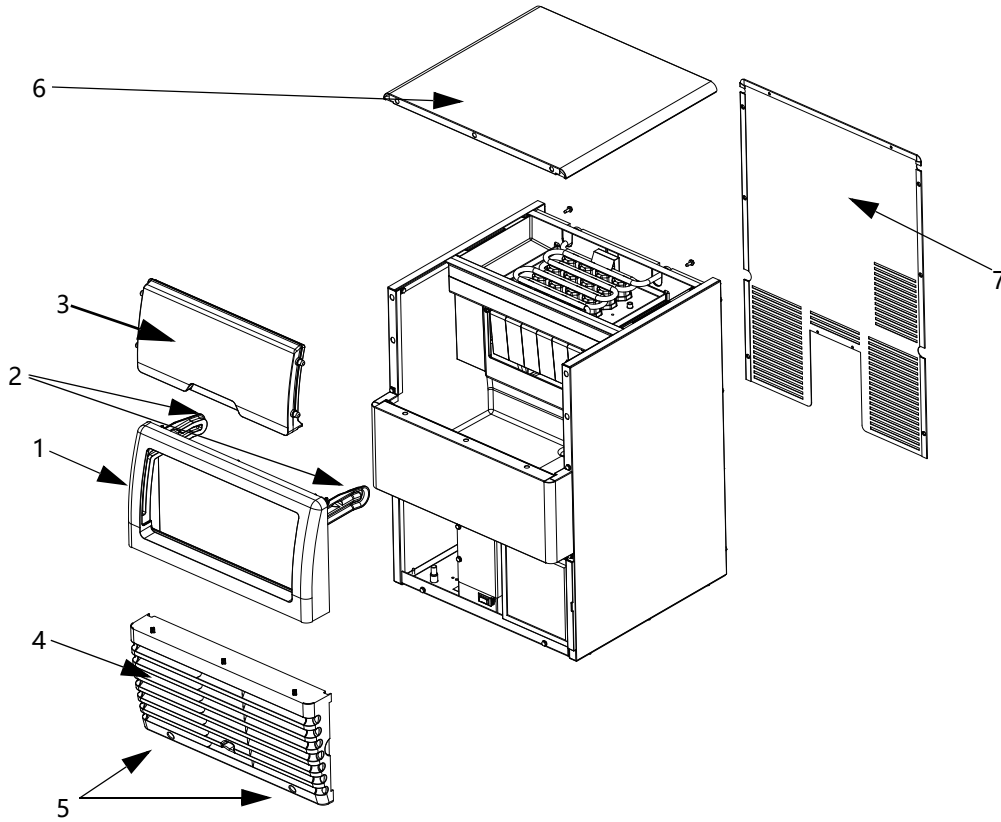
- [1] Used on UGF Ice Machine.
- [2] Used on UGP Ice Machine.

UG0080 REFRIGERATION COMPARTMENT – AIR-COOLED



DESCRIPTION	PART NO.
1 Air Condenser040002548
2 Baffle - Air Condenser040003711
3 Hot Gas Valve	
a. Hot Gas Valve 230/50-60/1 Ph040008540
b. Hot Gas Valve Coil Only 230/50-60/1 Ph040000103
4 Line Drier8252159
5 Liquid Line NTC Thermistor040003056
6 Fan Motor	
a. 230/50-60 Hz2000219
b. Fan Blade3005659
Miscellaneous – Brackets, Screws, etc.	
7 Fan Shroud040003712
8 Fan Motor Mounting Bracket040003709

UG0080 PANELS



DESCRIPTION

PART NO.

Door – Gray

1	Frame	040003730
2	Door Track Assembly	040004091
3	Door Assembly	040003731
4	Grill (Not Including Air Filter)	040002558
5	Grill Screws (5 x 13 mm)	000001718
6	Top Cover	7603503
7	Back Panel	040003499
8	Leg Leveler (Not Shown)	5005253
9	Air Filter (Not Shown)	040004376