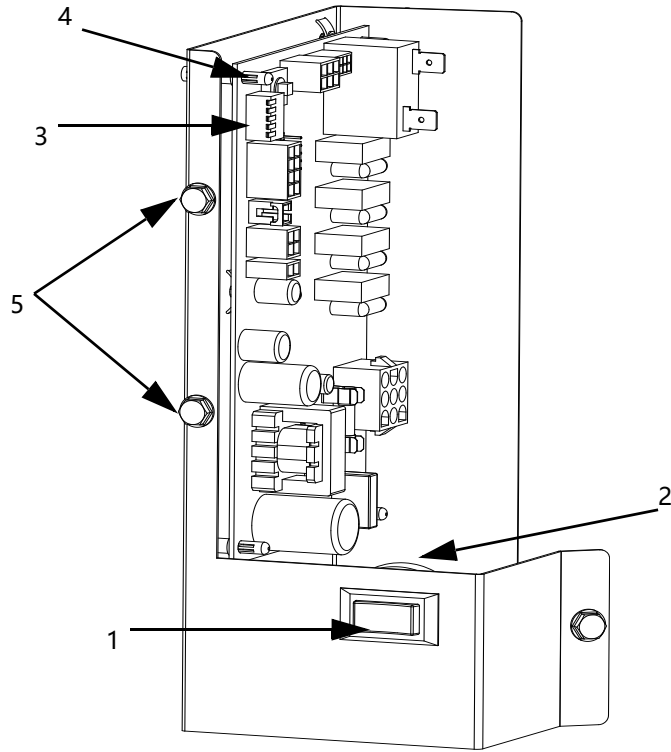




**Ice Machine Parts List for
Series UG0065 Models**

UGF0065

UG0065 CONTROL BOX



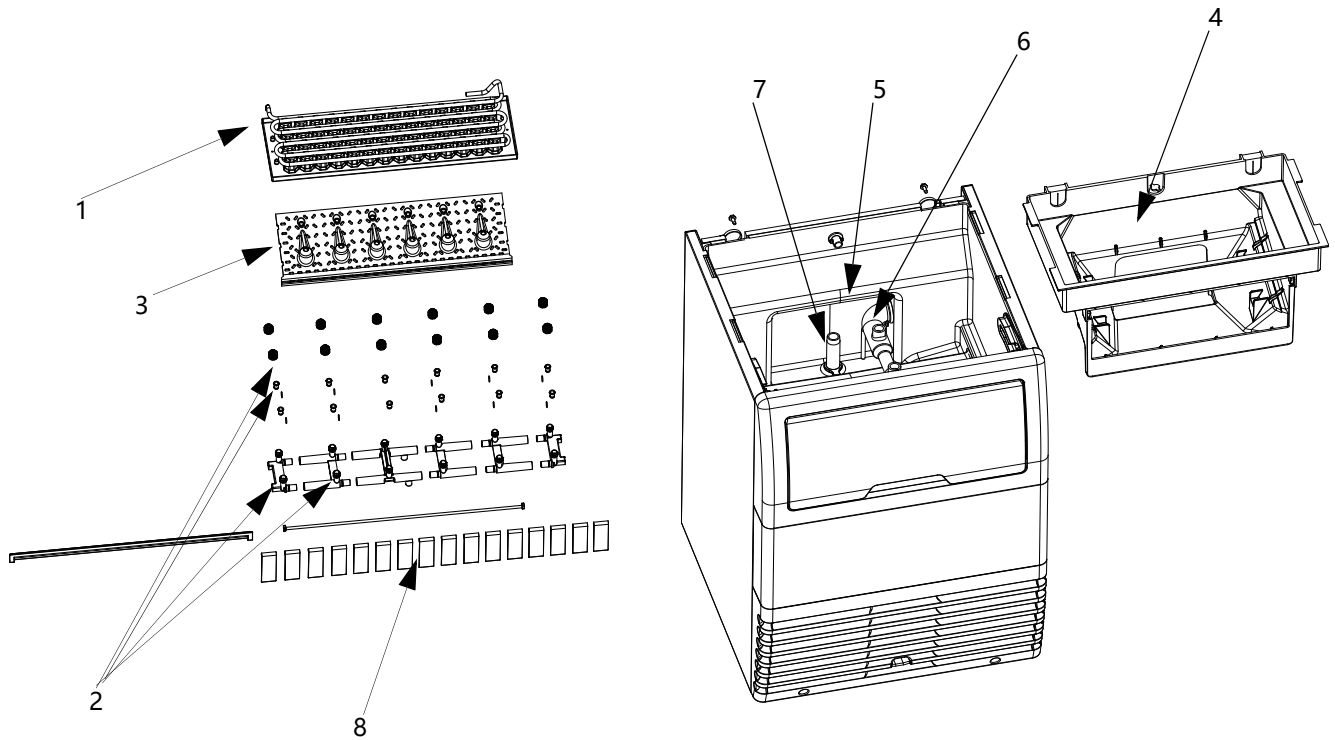
DESCRIPTION

	DESCRIPTION	PART NO.
1	Toggle Switch	
	a. Toggle Switch	2301513 ^[1]
	b. Toggle Switch	040005440 ^[2]
2	Bushing-1.5"	2500139
2a	Bushing-0.875"	2501409
3	Control Board	
	a. Control Board	040002984 ^[1]
	b. Control Board	040005521 ^[2]
4	Control Board Mounting Supports	4302253
5	Screw	5202329
Miscellaneous – Brackets, Screws, etc.—Not Shown		
6	Wiring Harness, Main 230V/50-60Hz,	040003491
7	Wiring Harness, Toggle Switch	040003438
8	Jump Wire	
	a. 230V/50,UG065A	040003064
	b. 230V/60,UG065A	040003434

NOTES:

- [1] Before Serial number 310370498.
- [2] After Serial number 310370498.

UG0065 EVAPORATOR ASSEMBLY



DESCRIPTION

	PART NO.
1 Evaporator Assembly -Standard	040004466
2 Spray Bar Assembly	040004661
a. Insert (each)	4008779
b. Cap (each)	4008769
c. O-ring	5004639
3 Ice Ramp	040003492
4 Evaporator Housing Assembly	040003591
5 Water Level NTC Thermistor	040003055
6 Tubing (Water Pump Out)	000000959
7 Standpipe Assembly	
a. Standpipe	4015199
b. Plug	040000096
c. Drain Screen	4014933
8 Curtain Assembly	
a. Paddle	040003482 ^[1]
b. Rod	040003610
c. Cover.evap/Hanger	040003483
9 Bin Full NTC Thermistor Assembly (not shown)	040004978

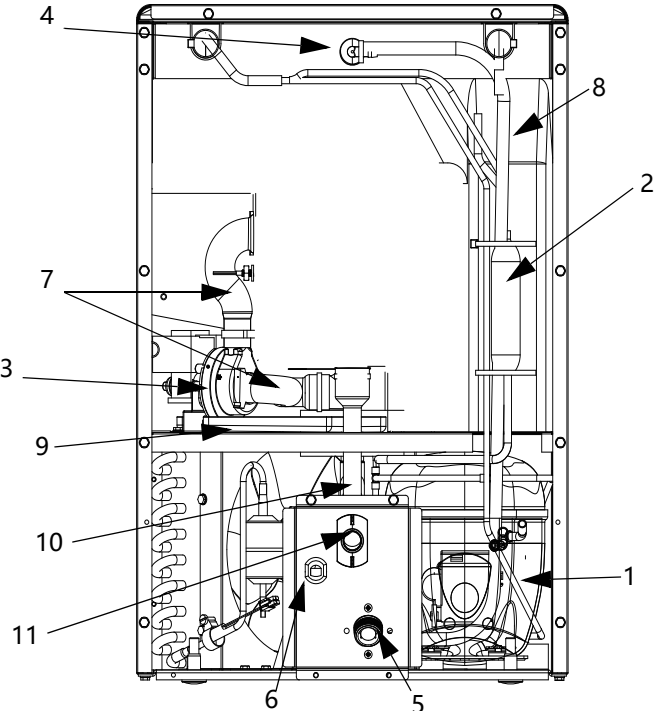
Miscellaneous – Brackets, Screws, etc.

10 Water Inlet Diverter	6072481
-------------------------------	---------

NOTE:

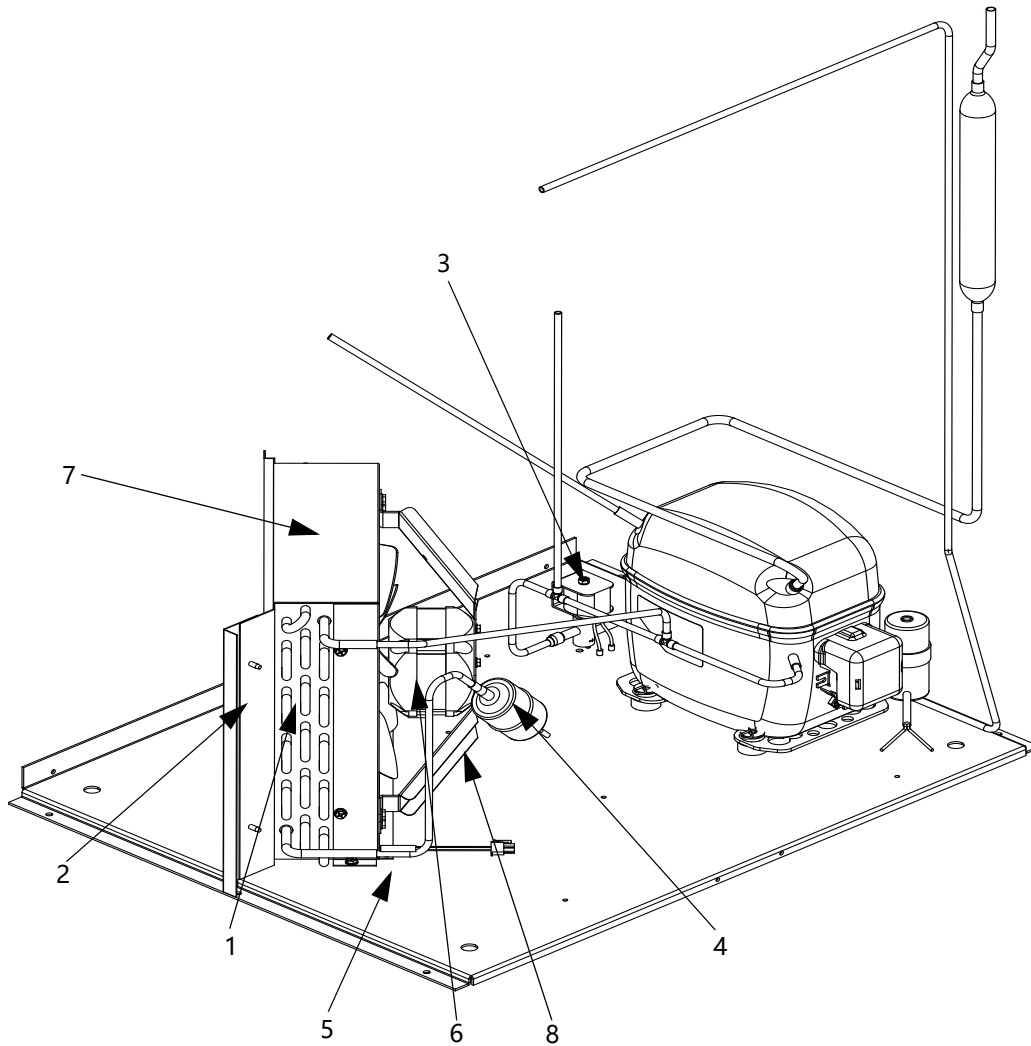
[1] 16 paddles used on UG65.

UG0065 REFRIGERATION COMPARTMENT – COMMON PARTS



DESCRIPTION	PART NO.
1 Compressor	
a. Compressor 230,50/60,1 Danfoss	.040000161
b. Start Relay	.8251083
c. Start Capacitor	.2006069
2 Cap Tube Assembly-251/261	.040004375
3 Water Pump	
a. 220V/50Hz	.040005217
b. 220V/60Hz	.040005218
4 Evaporator Water Inlet Fitting	.040004041
5 Water Inlet Valve	
a. 230/50-60Hz UG065A	.000006441
b. Mylar Shield	.000000827
6 Strain Relief	.2512043
7 Vinyl Tubing	
a. Pump to Spray Bar	.000000959
b. Sump to Pump	.000000960
c. Clamp	.5000493
8 Water Inlet Tubing .375 ID×45"L	.000006438
9 Condensate Tray	.040004235
10 Bin Drain Tube	.040002549
11 Drain Fitting Barbed	.4011289
Miscellaneous – Brackets, Screws, etc.	
12 Screw M4×0.7 x 7 mm (mounts water inlet valve)	.5004429
13 Leg	.5005253

UG0065 REFRIGERATION COMPARTMENT – AIR-COOLED



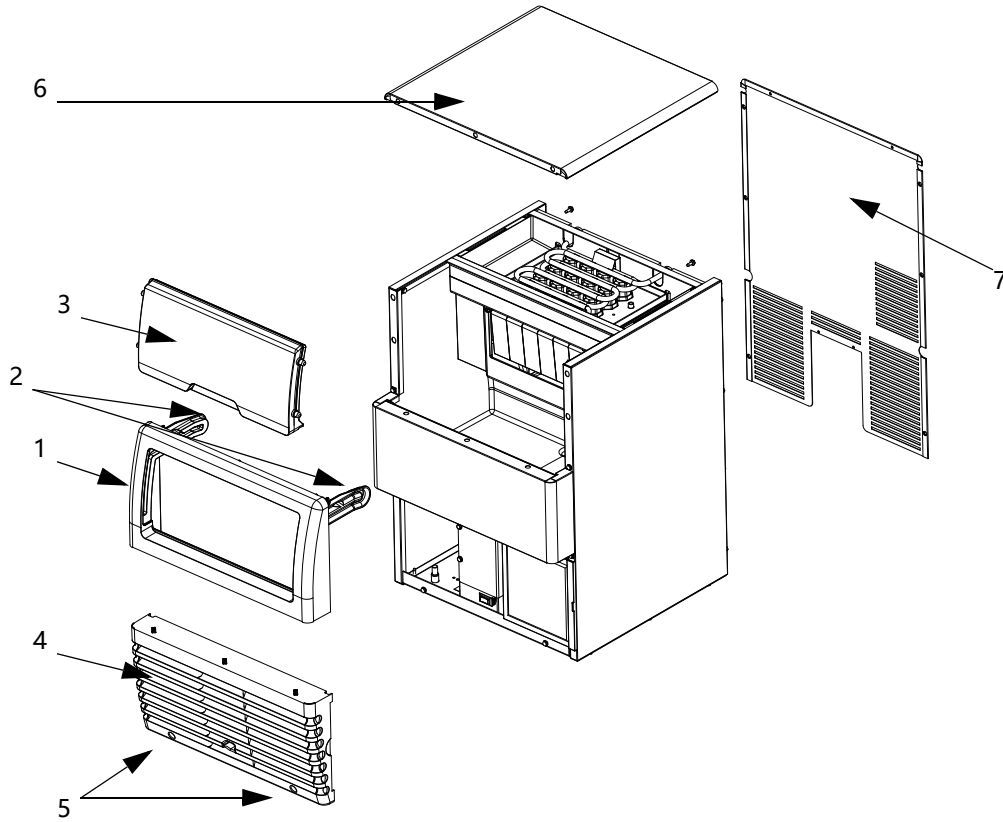
DESCRIPTION

	PART NO.
1 Air Condenser	040002548
2 Baffle - Air Condenser	040003711
3 Hot Gas Valve	
a. Hot Gas Valve 230/50-60/1 Ph	040008539
b. Hot Gas Valve Coil Only 230/50-60/1 Ph	040000103
4 Line Drier	8252169
5 Liquid Line NTC Thermistor	040003056
6 Fan Motor	
a. 230/50-60 Hz	2000219
b. Fan Blade	3005659

Miscellaneous – Brackets, Screws, etc.

7 Fan Shroud	040003712
8 Fan Motor Mounting Bracket	040003709

UG0065 PANELS



DESCRIPTION

Door – Gray

	PART NO.
1 Frame.....	.040003730
2 Door Track Assembly.....	.040004091
3 Door Assembly.....	.040003731
4 Grill (Not Including Air Filter).....	.040002558
5 Grill Screws (5 x 13 mm).....	.000001718
6 Top Cover.....	.7603503
7 Back Panel.....	.040003499
8 Leg Leveler (Not Shown).....	.5005253
9 Air Filter (Not Shown).....	.040004376