

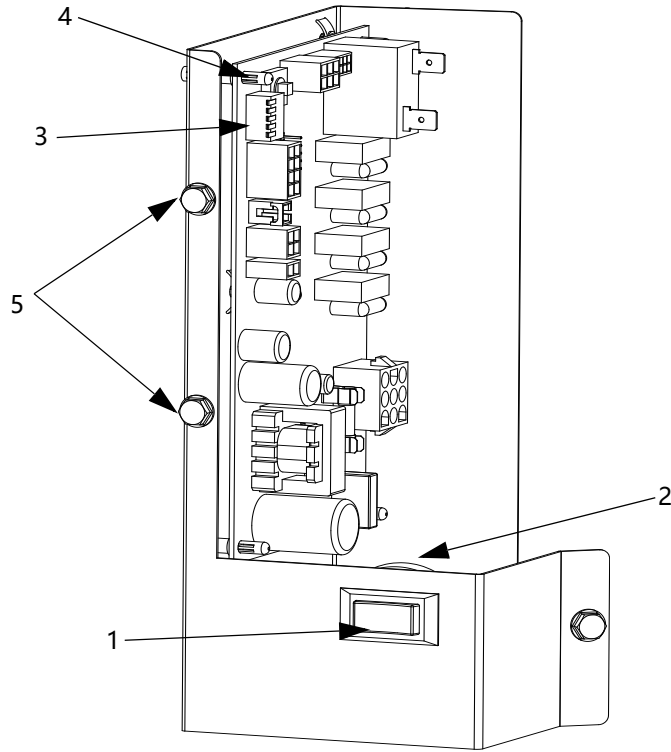


Ice Machine Parts List for Series UG0050 Models

UGF0050

UGP0050

UGF0050 CONTROL BOX



DESCRIPTION

PART NO.

1	Toggle Switch	
	a. Toggle Switch	2301513 ^[1]
	b. Toggle Switch	040005440 ^[2]
2	Bushing-1.5"	2500139
2a	Bushing-0.875"	2501409
3	Control Board	
	a. Control Board	040002984 ^[1]
	b. Control Board	040005521 ^[2]
4	Control Board Mounting Supports	4302253
5	Screw	5202329

Miscellaneous – Brackets, Screws, etc.—Not Shown

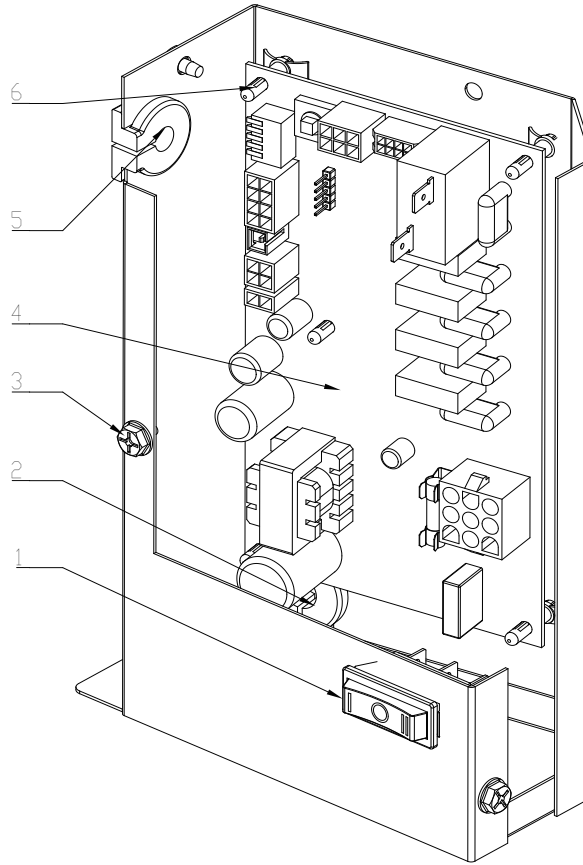
6	Wiring Harness, Main	
	a. 115V,230V/50-60Hz,	040003491
	b. 230V/50Hz, UG050W	040004045
7	Wiring Harness, Toggle Switch	040003438
8	Jump Wire	
	a. 230V/50,UG050A	040003063
	b. 230V/60,UG050A	040003433
	c. 115V/60,UG050A	040003437
	d. 230V/50,UG050W	040003069

NOTES:

[1] Before Serial Number 310370498.

[2] After Serial Number 310370498.

UGP0050 CONTROL BOX



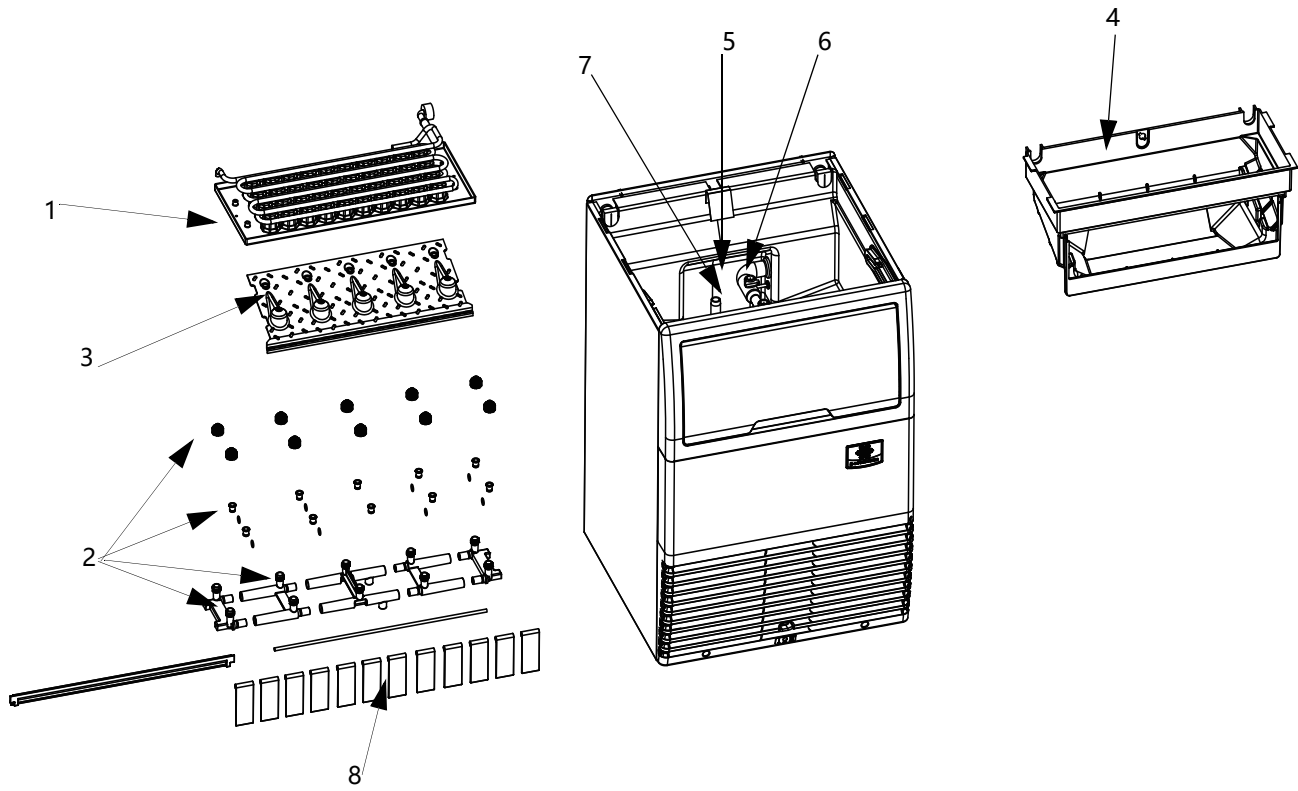
DESCRIPTION

DESCRIPTION	PART NO.
1 Toggle Switch.....	.040005440
2 Screw5202329
3 Control Board.....	.040006639
4 Protection Grommet 23*23.....	.040006595
5 Control Board Mounting Supports4302253

Miscellaneous – Wire (Not Shown)

6 Wiring Harness, Main.....	.040006638
7 Wiring Harness, Toggle Switch040003438
8 Jump Wire(230V/50Hz)040003063

UG0050 EVAPORATOR ASSEMBLY



DESCRIPTION

	DESCRIPTION	PART NO.
1	Evaporator Assembly -Standard	040004465
2	Spray Bar Assembly	040004660
3	Ice Ramp	040003479
4	Evaporator Housing Assembly	040003480
5	Water Level NTC Thermistor	040003054
6	Tubing (Water Pump Out)	040005204
7	Standpipe Assembly	
	a. Standpipe	4010379
	b. Plug	040000096
	c. Drain Screen	4014933
8	Curtain Assembly	
	a. Paddle	040003482 ^[1]
	b. Rod	3004559
	c. Cover.evap/Hanger	040003481
9	Bin Full NTC Thermistor Assembly (not shown)	040004977

Miscellaneous – Brackets, Screws, etc.

10	Water Inlet Diverter	6072481
----	----------------------------	---------

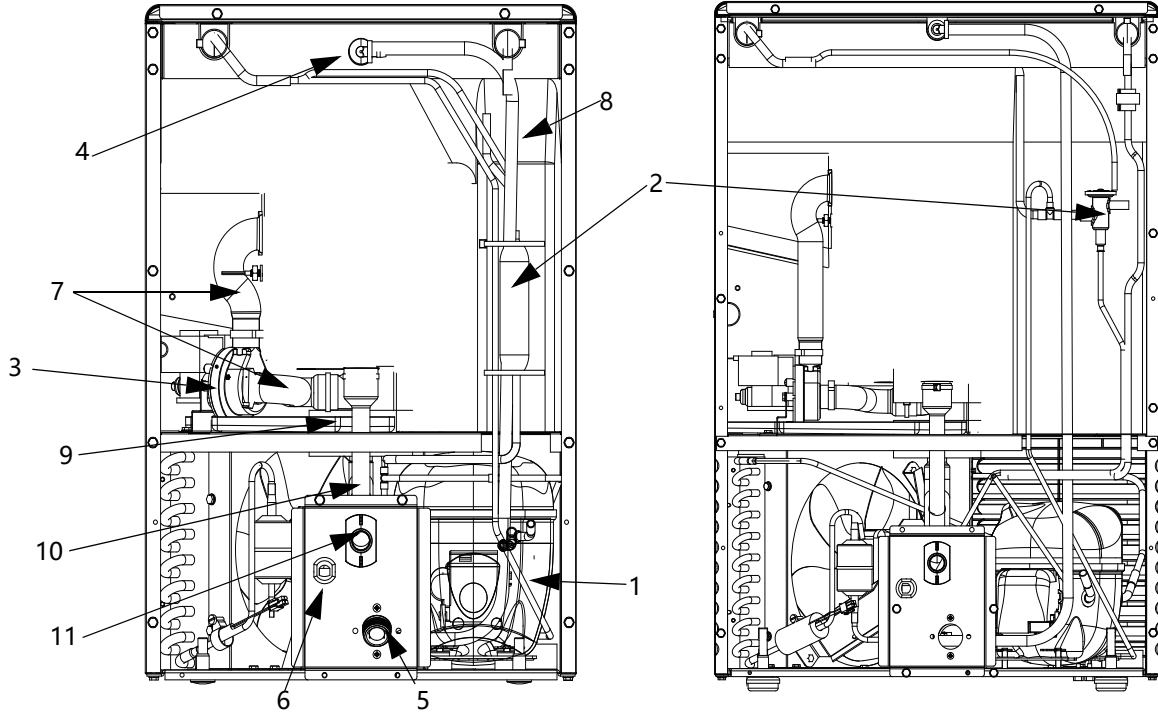
NOTE:

[1] 12 paddles used on UG50.

UG0050 REFRIGERATION COMPARTMENT – COMMON PARTS

261/116 UG050A

251 UG050A/W

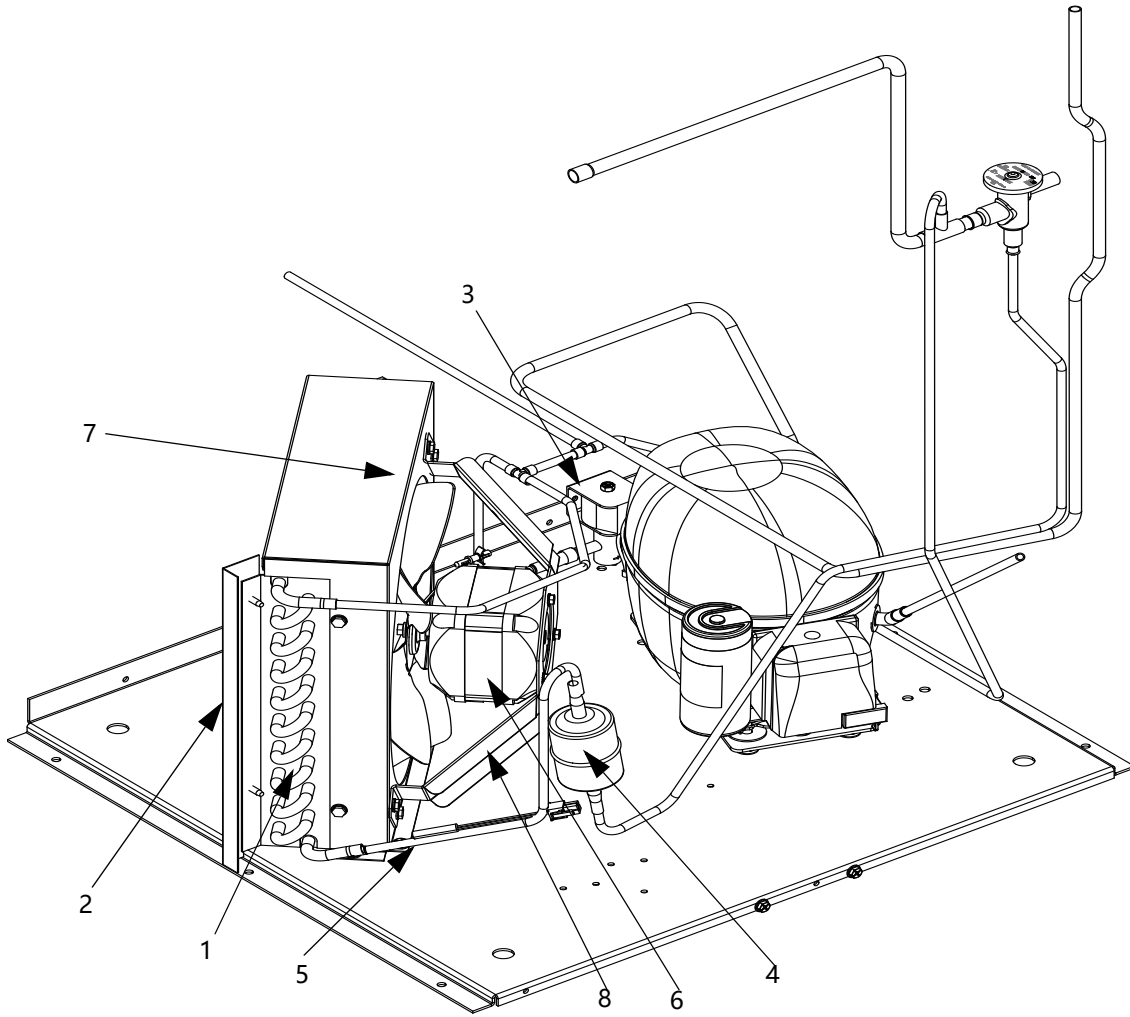


DESCRIPTION	PART NO.
1 Compressor	
1a Compressor 220-240V 50Hz1 NEK6181GK Embraco	040002777 ^[1]
a. Relay	040002839
b. Start Capacitor	040002840
1b Compressor 115/60/1 NF7CLX Danfoss	7601323 ^[1]
a. Relay	2002043
b. Start Capacitor	2002033-ORA
1c Compressor230,50/60,1 Danfoss	040000160 ^[1]
a. Relay	2004873
b. Start Capacitor	2004863
1d Compressor 220-240V 50Hz1 FFU160UAX	040006735 ^[2]
a. Relay	040006757
b. Start Capacitor	040006758
a. Overload Protector	040006756
2 Cap Tube Assembly/Expansion Valve	
a. Cap Tube Assembly(115V/60Hz)	040004374
b. Cap Tube Assembly(230V/60Hz)	040004373
c. Expansion Valve(230V/50Hz,UGF)	040003693 ^[1]
d. Expansion Valve(230V/50Hz,UGP)	000015752 ^[2]
3 Water Pump	
a. 220V/50Hz	040005215
b. 220V/60Hz	040005216
c. 115V/60Hz	040005214
4 Evaporator Water Inlet Fitting	040004041
5 Water Inlet Valve	
a. 230/50-60Hz	040001077
b. 115/60Hz	040004037
c. Mylar Shield	000000827
6 Strain Relief	2512043
7 Vinyl Tubing	
a. Pump to Spray Bar	040005204
b. Sump to Pump	000000942
c. Clamp	5000493
8 Water Inlet Tubing .375 ID×45"L	000006438
9 Condensate Tray	4008759
10 Bin Drain Tube	040002340
11 Drain Fitting Barbed	4011289
Miscellaneous – Brackets, Screws, etc.—Not Shown	
12 Screw M4×0.7 x 7 mm (mounts water inlet valve)	5004429
13 Leg	5005253

NOTE:

- [1] Used on UGF Ice Machine.
- [2] Used on UGP Ice Machine.

UG0050 REFRIGERATION COMPARTMENT – AIR-COOLED

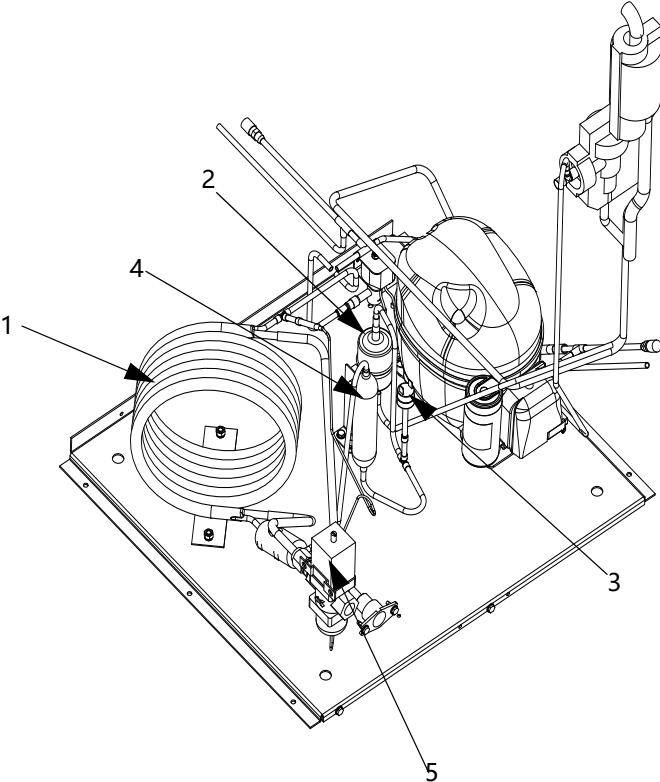


DESCRIPTION

PART NO.

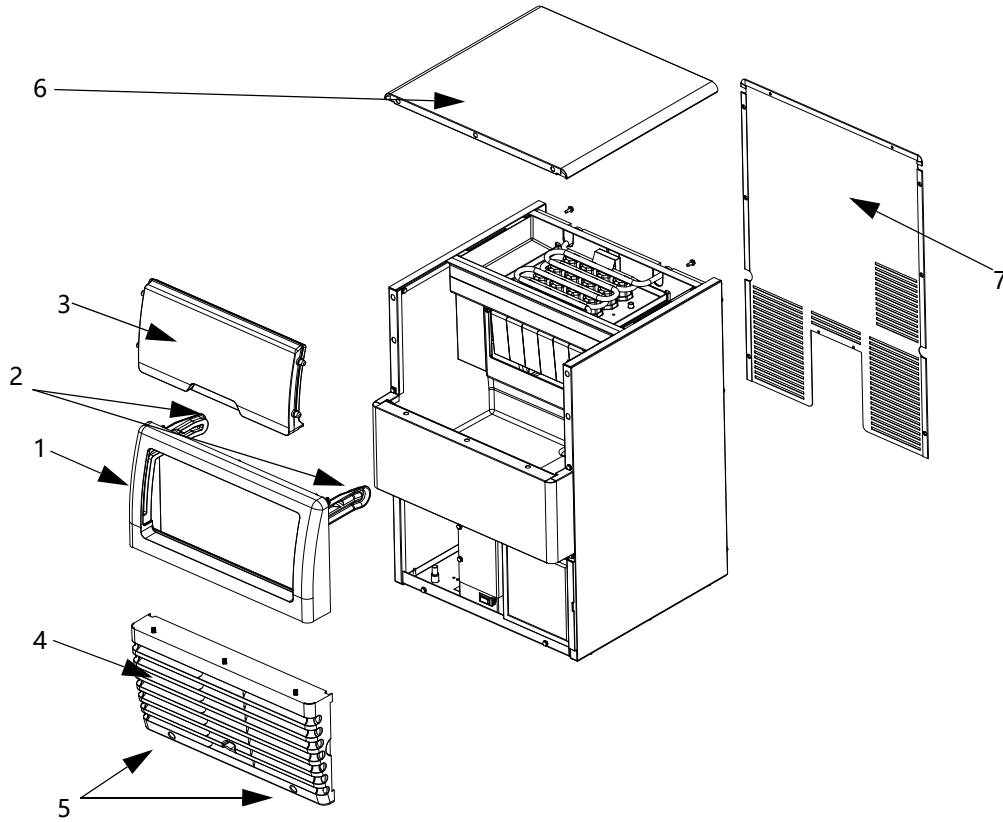
1	Air Condenser040002578
2	Baffle - Air Condenser040002544
3	Hot Gas Valve	
3a	Hot Gas Valve 230/50-60/1 Ph.040008539
	a. Hot Gas Valve Coil Only 230/50-60/1 Ph040000103
3b	Hot Gas Valve 115/60/1 Ph040008538
	a. Hot Gas Valve Coil Only 115/60/1 Ph040000101
4	Line Drier	
4a	261 & 161 Ice Machine8252169
4b	251 Ice Machine8252159
5	Liquid Line NTC Thermistor040003056
6	Fan Motor	
	a. 230/50-60 Hz2000219
	b. 115V/60 Hz2000223
	c. Fan Blade3005659
Miscellaneous – Brackets, Screws, etc.		
7	Fan Shroud040002339
8	Fan Motor Mounting Bracket040002341

UG0050 REFRIGERATION COMPARTMENT – WATER-COOLED



DESCRIPTION	PART NO.
1 Water Condenser	8252529
2 Liquid Line Drier	8252159
3 HPCO (not shown)	000013579
4 Receiver	8252519
5 Water Regulating Valve	8372103
a. Coupling 3/8 F x 3/8 NPT	8332023
Miscellaneous – Brackets, Screws, etc.	
6 Adapter 1/2 NPTF.	8706103
7 Water Regulating Valve Bracket	6068971

UG0050 PANELS



DESCRIPTION

Door – Gray

	PART NO.
1 Frame.....	.040003734
2 Door Track Assembly.....	.040004090
3 Door Assembly.....	.040003738
4 Grill (Not Including Air Filter).....	.040002577
5 Grill Screws (5 x 13 mm).....	.000001718
6 Top Cover.....	.6056019
7 Back Panel.....	.040003594
8 Leg Leveler (Not Shown).....	.5005253
9 Air Filter (Not Shown).....	.040004372