

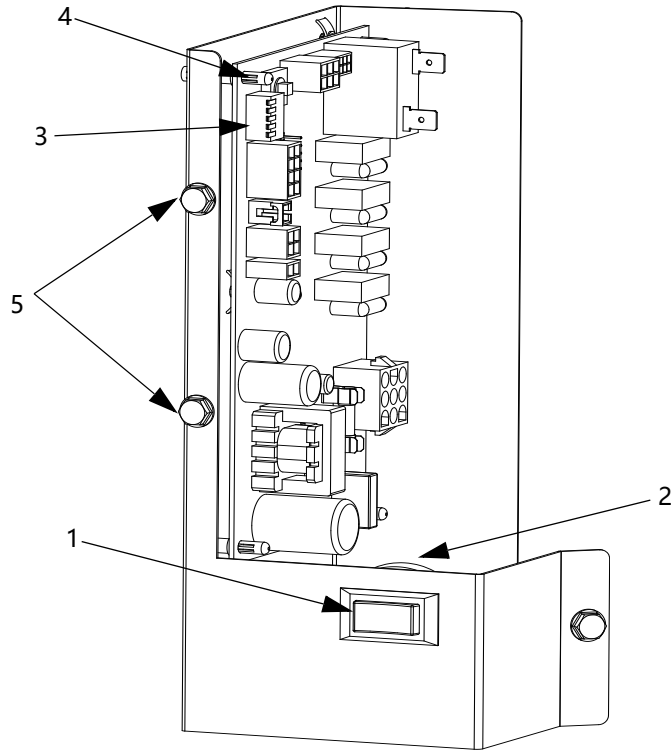


Ice Machine Parts List for Series UG0040 Models

UGF0040

UGP0040

UGF0040 CONTROL BOX



DESCRIPTION

PART NO.

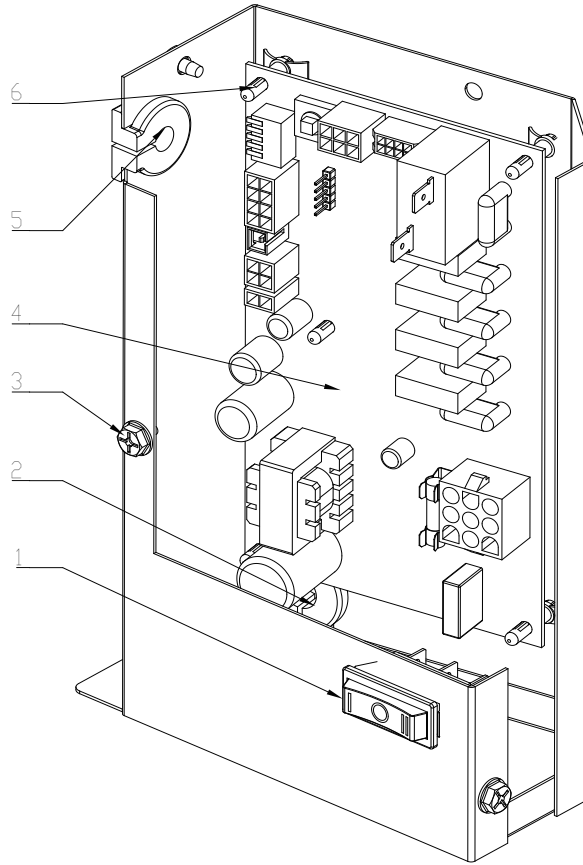
1	Toggle Switch	
	a. Toggle Switch	2301513 ^[1]
	b. Toggle Switch	040005440 ^[2]
2	Bushing-1.5"	2500139
2a	Bushing-0.875"	2501409
3	Control Board	
	a. Control Board	040002984 ^[1]
	b. Control Board	040005521 ^[2]
Miscellaneous – Brackets, Screws, etc.		
4	Control Board Mounting Supports	4302253
5	Screw	5202329
6	Wiring Harness, Main 230V/50-60Hz,	040003491
7	Wiring Harness, Toggle Switch	040003438
8	Jump Wire	
	a. 230V/50Hz	040003062
	b. 230V/60Hz	040003432

NOTES:

[1] Before Serial Number 310370498.

[2] After Serial Number 310370498.

UGP0040 CONTROL BOX



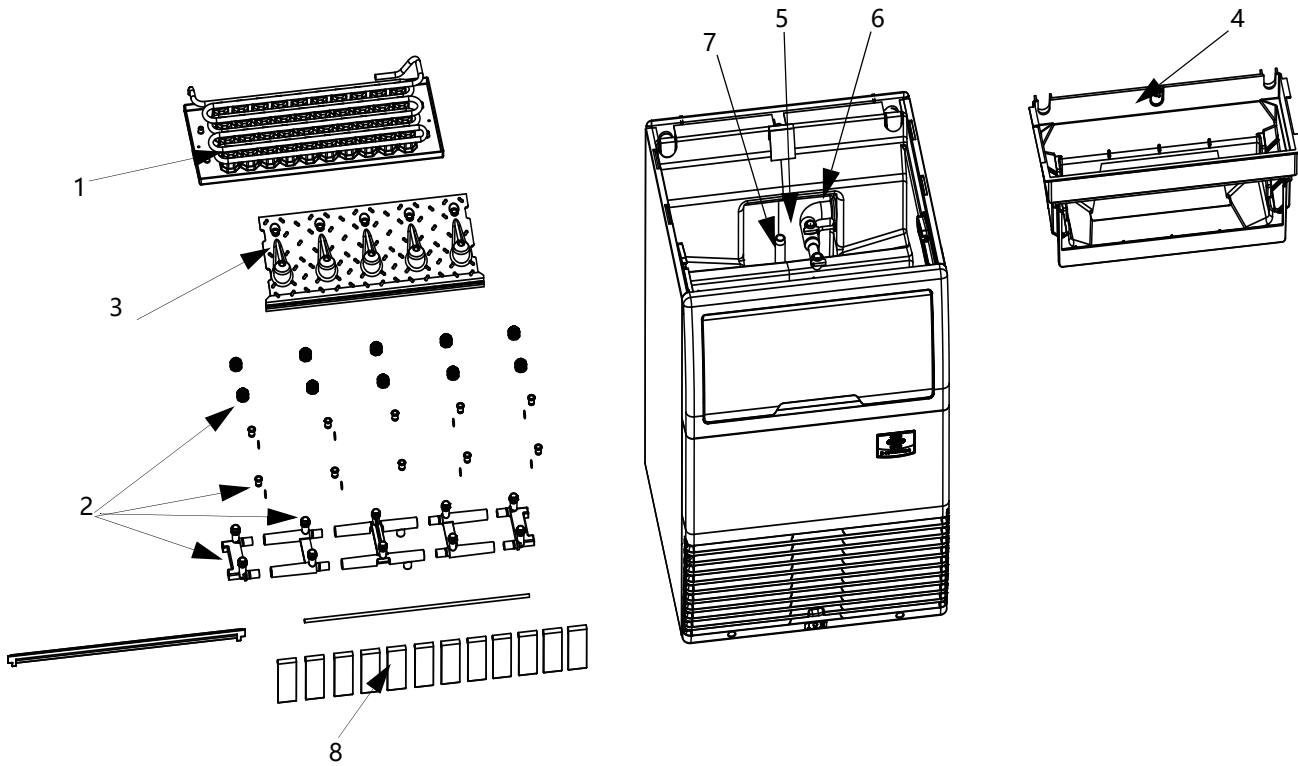
DESCRIPTION

DESCRIPTION	PART NO.
1 Toggle Switch.....	.040005440
2 Screw5202329
3 Control Board.....	.040006639
4 Protection Grommet 23*23.....	.040006595
5 Control Board Mounting Supports4302253

Miscellaneous – Wire (Not Shown)

6 Wiring Harness, Main.....	.040006638
7 Wiring Harness, Toggle Switch040003438
8 Jump Wire(230V/50Hz)040003062

UG0040 EVAPORATOR ASSEMBLY



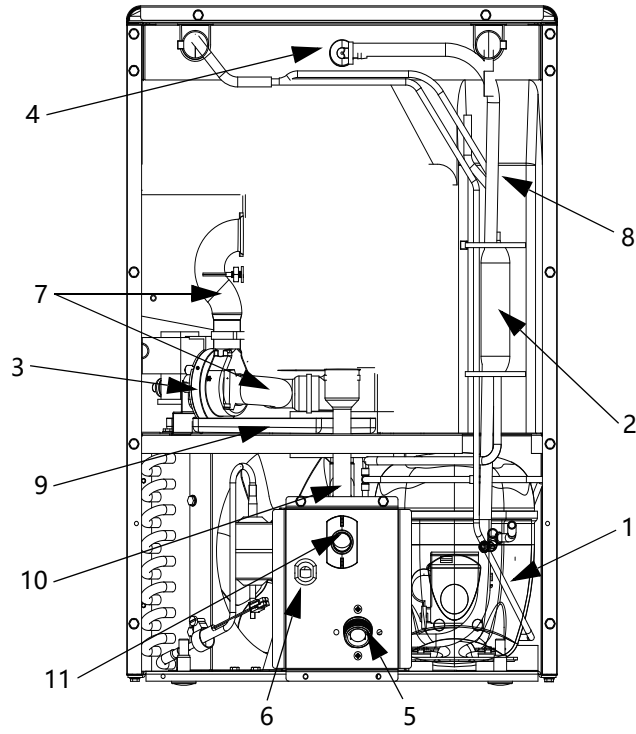
DESCRIPTION

	DESCRIPTION	PART NO.
1	Evaporator Assembly -Standard	040004465
2	Spray Bar Assembly	040004660
3	Ice Ramp	040003479
4	Evaporator Housing Assembly	040003480
5	Water Level NTC Thermistor	040003054
6	Tubing (Water Pump Out)	040005204
7	Standpipe Assembly	
	a. Standpipe	4010379
	b. Plug	040000096
	c. Drain Screen	4014933
8	Curtain Assembly	
	a. Paddle	040003482 ^[1]
	b. Rod	3004559
	c. Cover.evap/Hanger	040003481
9	Bin Full NTC Thermistor Assembly (not shown)	040004977
	Miscellaneous – Brackets, Screws, etc.	
10	Water Inlet Diverter	6072481

NOTE:

[1] 12 paddles used on UG40.

UG0040 REFRIGERATION COMPARTMENT – COMMON PARTS



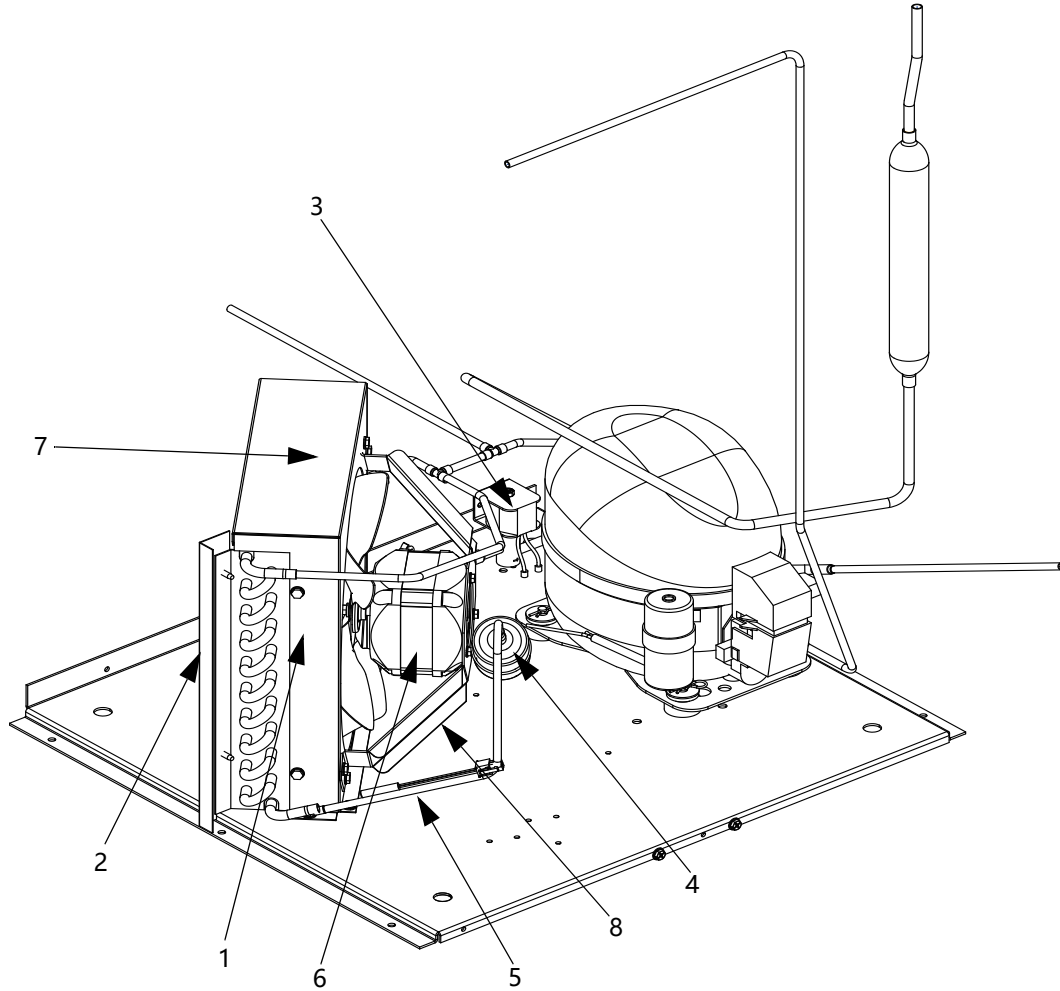
DESCRIPTION	PART NO.
1 Compressor	
1a Compressor 208-230/50-60/1 NL6.1MLX	040000434 ^[1]
a. Relay	000002900
b. Start Capacitor	040000674
1b Compressor FFU130UAX 230V	040006733 ^[2]
a. Relay	040006747
b. Start Capacitor	040006749
c. Overload Protect	040006748
2 Cap Tube Assembly	
a. Cap Tube Assembly-UGF	040004371
b. Cap Tube Assembly-UGP	040007787
3 Water Pump	
a. 115V/60HZ	040005214
b. 230V/50Hz	040005215
c. 230V/60Hz	040005216
4 Evaporator Water Inlet Fitting	040004041
5 Water Inlet Valve	
a. 230/50-60Hz	040001077
b. Mylar Shield	000000827
6 Strain Relief	2512043
7 Vinyl Tubing	
a. Pump to Spray Bar	040005204
b. Sump to Pump	000000942
c. Clamp	5000493
8 Water Inlet Tubing .375 ID×45"L	000006438
9 Condensate Tray	4008759
10 Bin Drain Tube	040002340
11 Drain Fitting Barbed	4011289
Miscellaneous – Brackets, Screws, etc.	
12 Screw M4×0.7 x 7 mm (mounts water inlet valve)	5004429
13 Leg	5005253

NOTE:

[1] Used on UGF Ice Machine.

[2] Used on UGP Ice Machine.

UG0040 REFRIGERATION COMPARTMENT – AIR-COOLED



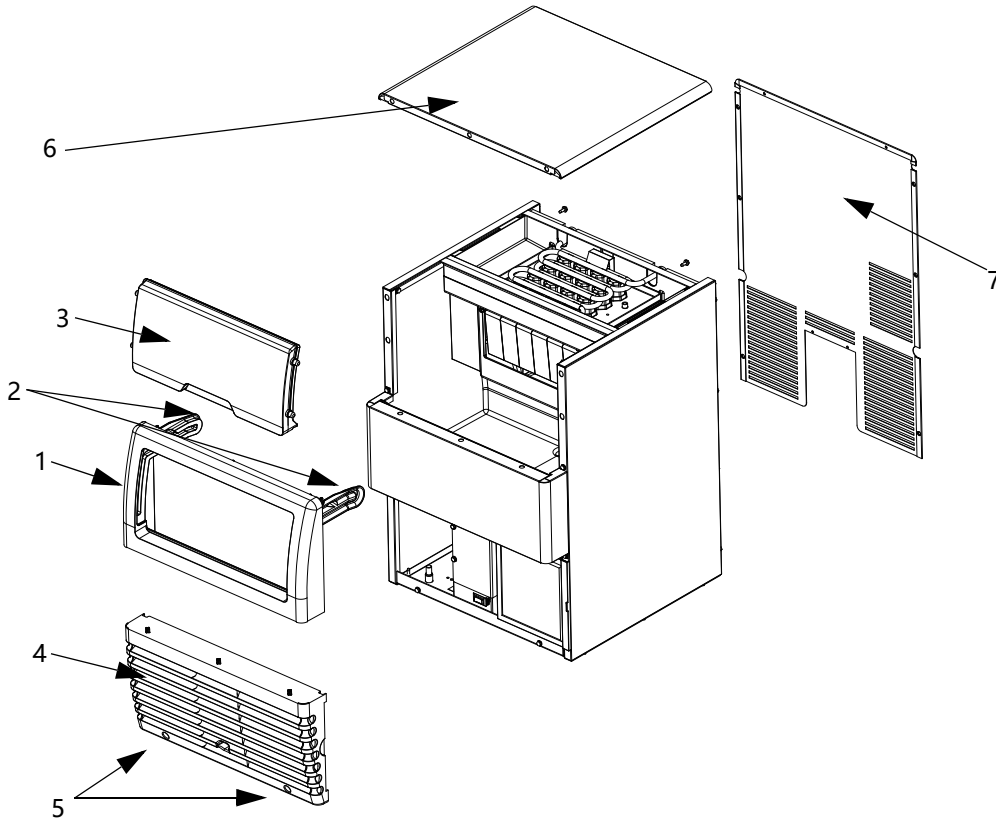
DESCRIPTION

	PART NO.
1 Air Condenser040002578
2 Baffle - Air Condenser040002544
3 Hot Gas Valve-230V/50-60HZ/1Ph040008539
3a Hot Gas Valve Coil Only-230V/50-60HZ/1Ph.040000103
4 Line Drier8252169
5 Liquid Line NTC Thermistor040003056
6 Fan Motor	
a. 230/50-60 Hz2000219
b. Fan Blade3005659

Miscellaneous – Brackets, Screws, etc.

7 Fan Shroud040002339
8 Fan Motor Mounting Bracket040002341

UG0040 PANELS



DESCRIPTION

Door – Gray

DESCRIPTION	PART NO.
1 Frame	040003734
2 Door Track Assembly	040004090
3 Door Assembly	040003738
4 Grill (Not Including Air Filter)	040002577
5 Grill Screws (5 x 13 mm)	000001718
6 Top Cover	6056019
7 Back Panel	040003594
8 Leg Leveler (Not Shown)	5005253
9 Air Filter (Not Shown)	040004372