

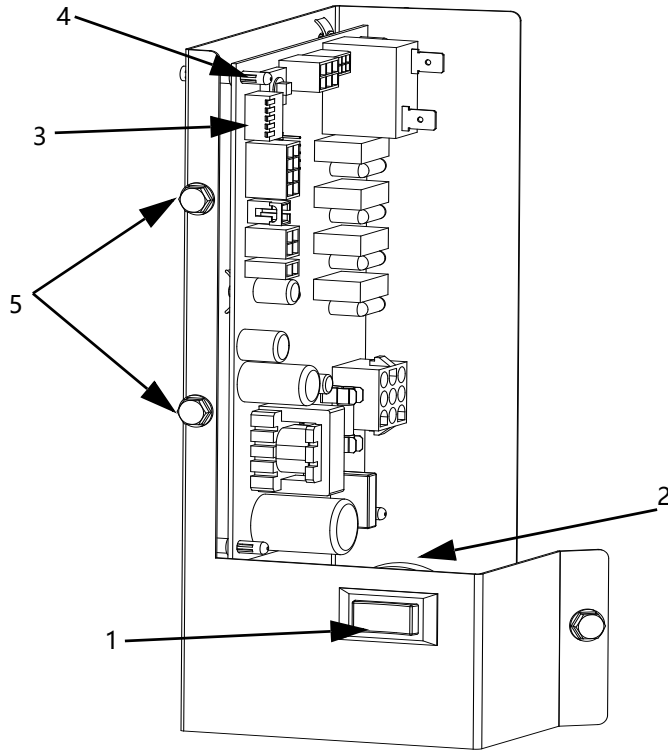


Ice Machine Parts List for Series UG0030 Models

UGE0030

UGP0030

UG0030 CONTROL BOX



DESCRIPTION

PART NO.

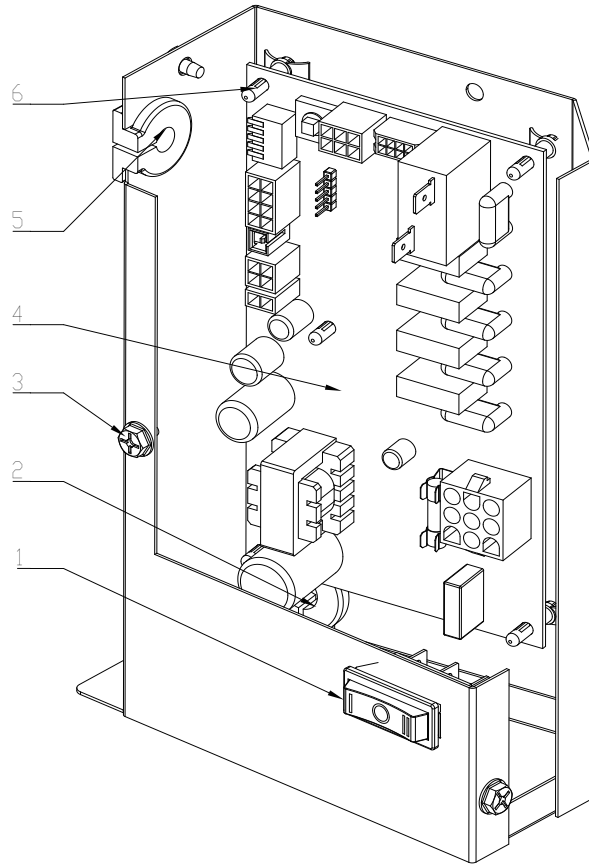
| | | |
|---|---------------------------------------|--------------------------|
| 1 | Toggle Switch | |
| | a. Toggle Switch | 2301513 ^[1] |
| | b. Toggle Switch | 040005440 ^[2] |
| 2 | Bushing-1.5" | 2500139 |
| 2a | Bushing-0.875" | 2501409 |
| 3 | Control Board | |
| | a. Control Board | 040002984 ^[1] |
| | b. Control Board | 040005521 ^[2] |
| 4 | Control Board Mounting Supports | 4302253 |
| 5 | Screw | 5202329 |
| Miscellaneous – Brackets, Screws, etc.—not shown | | |
| 6 | Wiring Harness, Main | |
| | a. 230V/50-60Hz,Air-cooled | 040003744 |
| | b. 115V/60HZ,Air-cooled | 040004305 |
| | a. 230V/50HZ,Water-cooled | 040004087 |
| 7 | Wiring Harness, Toggle Switch | 040003438 |
| 8 | Jump Wire | |
| | a. 230V/50,UG030A | 040003061 |
| | b. 230V/60,UG030A | 040003431 |
| | c. 115V/60,UG030A | 040003436 |
| | d. 230V/50,UG030W | 040003067 |

NOTES:

[1] Before Serial Number 310370498

[2] After Serial Number 310370498.

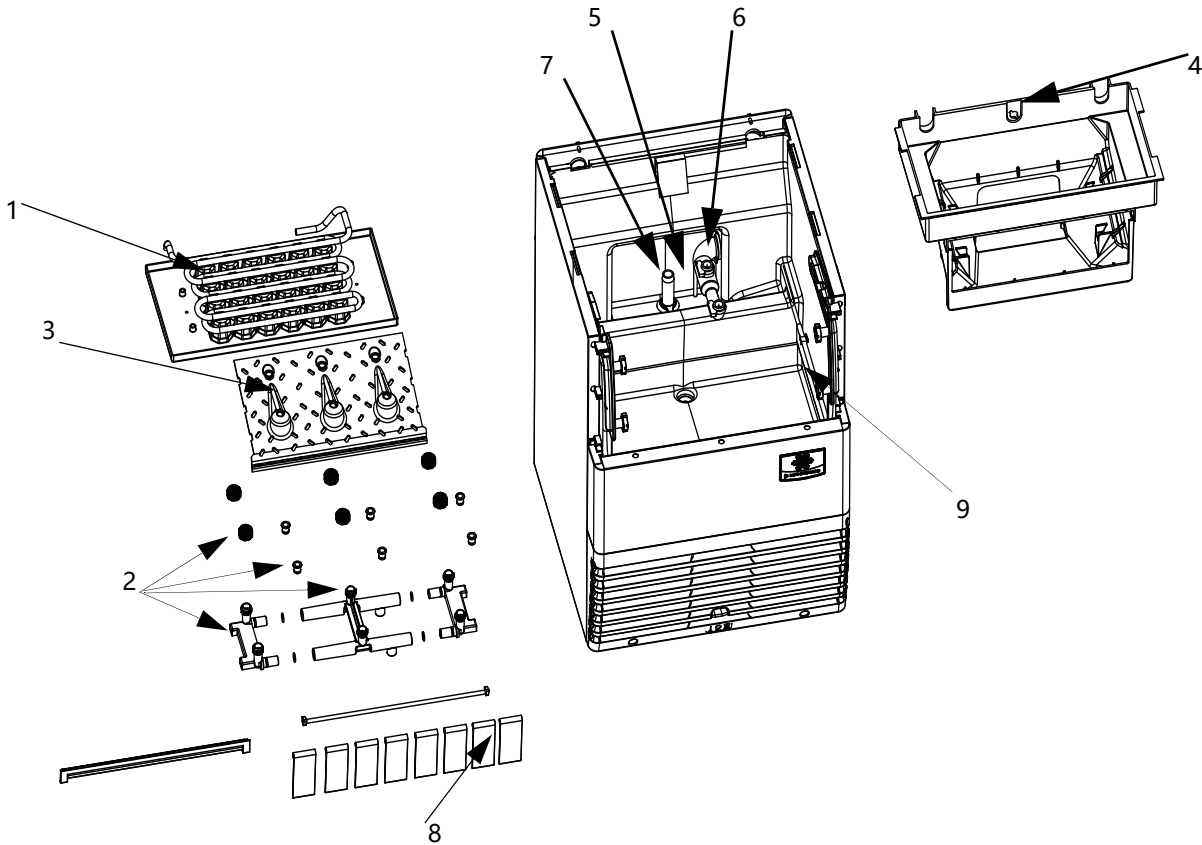
UGP0030 CONTROL BOX



DESCRIPTION

| | DESCRIPTION | PART NO. |
|---|---------------------------------------|-----------------|
| 1 | Toggle Switch | 040005440 |
| 2 | Screw | 5202329 |
| 3 | Control Board | 040006639 |
| 4 | Protection Grommet 23*23 | 040006595 |
| 5 | Control Board Mounting Supports | 4302253 |
| Miscellaneous – Wire (Not Shown) | | |
| 6 | Wiring Harness, Main | 040006640 |
| 7 | Wiring Harness, Toggle Switch | 040003438 |
| 8 | Jump Wire(230V/50Hz) | 040003061 |

UG0030 EVAPORATOR ASSEMBLY



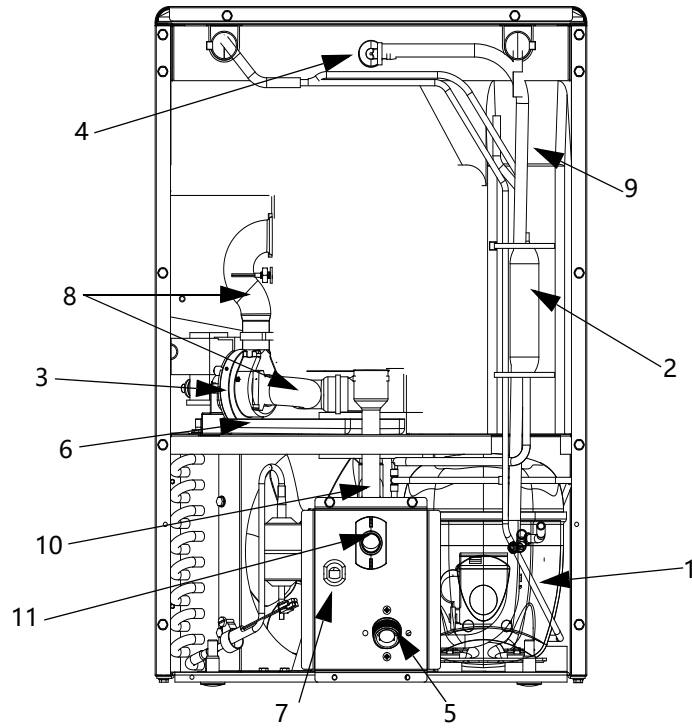
DESCRIPTION

| | | PART NO. |
|----|--|--------------------------|
| 1 | Evaporator Assembly -Standard | 040004464 |
| 2 | Spray Bar Assembly | 040004368 |
| 3 | Ice Ramp | 040003484 |
| 4 | Evaporator Housing Assembly | 040003630 |
| 5 | Water Level NTC Thermistor | 040003053 |
| 6 | Tubing (Water Pump Out) | 040005205 |
| 7 | Standpipe Assembly | |
| | a. Standpipe | 4012749 |
| | b. Plug | 040000096 |
| | c. Drain Screen | 4014933 |
| 8 | Curtain Assembly | |
| | a. Paddle | 040003482 ^[1] |
| | b. Rod | 040003609 |
| | c. Cover.evap/Hanger | 040003486 |
| 9 | Bin level control metal sheet | 040004244 |
| 10 | Bin Full NTC Thermistor Assembly (not shown) | 040004976 |

NOTE:

[1] 8 paddles used on UG30.

UG0030 REFRIGERATION COMPARTMENT – COMMON PARTS



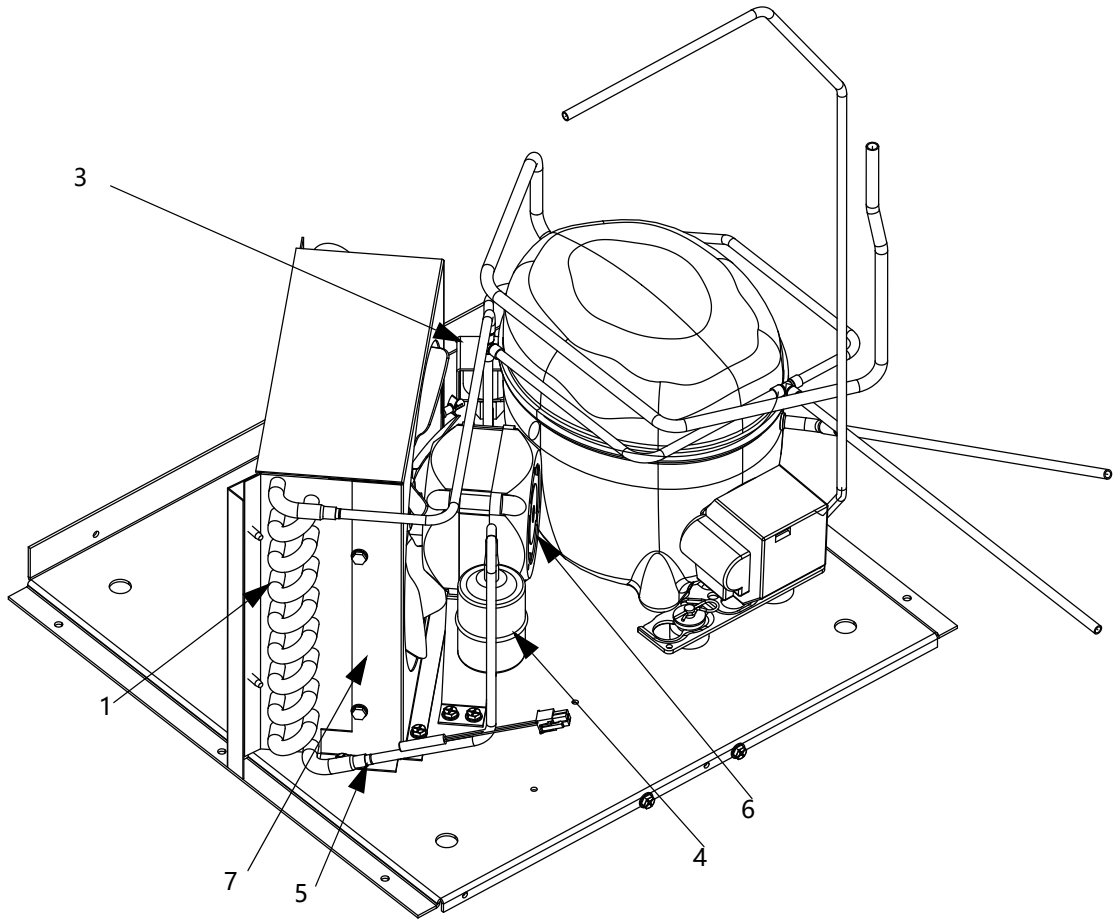
| DESCRIPTION | PART NO. |
|---|--------------------------|
| 1 Compressor | |
| 1a Embraco 230/50-60/1 Ph | 040003231 ^[1] |
| a. Start Relay | 040003234 |
| b. Overload Protector | 040003237 |
| 1b 115V/60/1Ph FF10HBK | 040000176 ^[1] |
| a. Relay Assembly | 040000191 |
| b. Overload Protector | 040000192 |
| 1c Compressor FFU 220-240V/50-60HZ. | 040006733 ^[2] |
| a. Start Relay | 040006747 |
| b. Start Capacitor | 040006749 |
| c. Overload Protect | 040006748 |
| 2 Cap Tube Assembly | |
| a. 230/50Hz-UGF | 040004370 |
| b. 230/50Hz-UGP | 040007786 |
| c. 230/60Hz & 115V/60Hz-UGF | 040004369 |
| 3 Water Pump | |
| 3a 220V/50Hz | 040005212 |
| 3b 220V/60Hz | 040005213 |
| 3c 115V/60Hz | 040005211 |
| 4 Evaporator Water Inlet Fitting | 040004041 |
| 5 Water Inlet Valve | |
| a. 230/50-60Hz | 040001078 |
| b. 115/60Hz | 040002999 |
| c. Mylar Shield | 000000827 |
| 6 Condensate Tray | 4011769 |
| 7 Strain Relief | 2512043 |
| 8 Vinyl Tubing | |
| a. Pump to Spray Bar | 040005205 |
| b. Sump to Pump | 040004667 |
| c. Clamp | 5000493 |
| 9 Water Inlet Tubing .375 ID×45"L | 000006438 |
| 10 Bin Drain Tube | 040002975 |
| 11 Drain Fitting Barbed | 4011289 |
| Miscellaneous – Brackets, Screws, etc.—Not Shown | |
| 12 Screw M4×0.7 x 7 mm (mounts water inlet valve) | 5004429 |
| 13 Leg | 5005909 |

NOTE:

[1] Used on UGE.

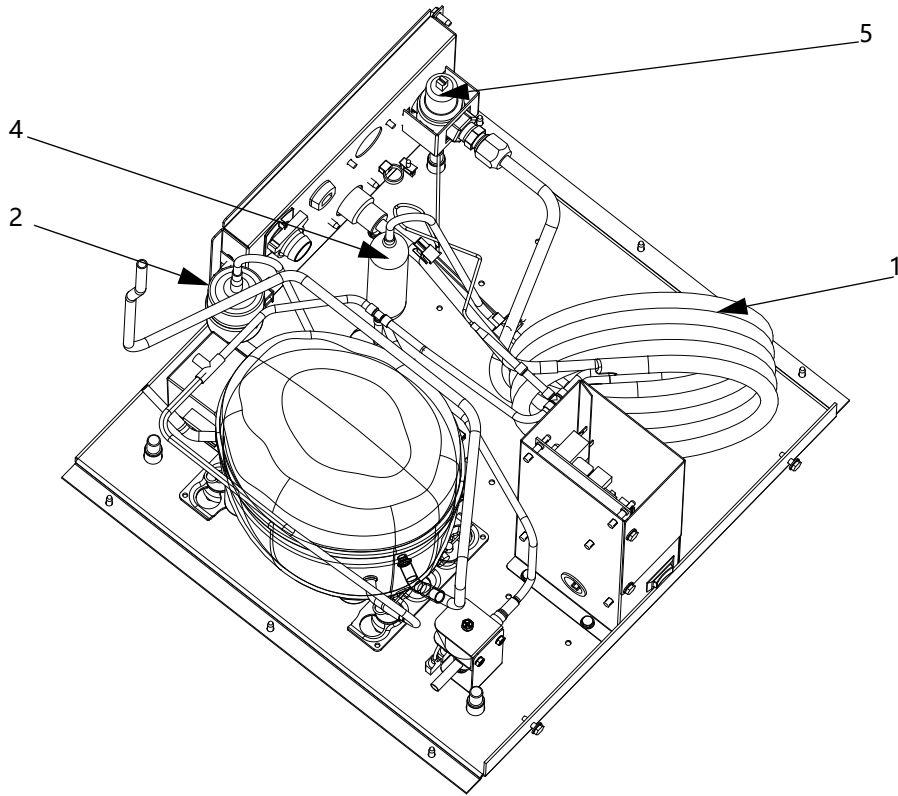
[2] Used on UGP.

UG0030 REFRIGERATION COMPARTMENT – AIR-COOLED



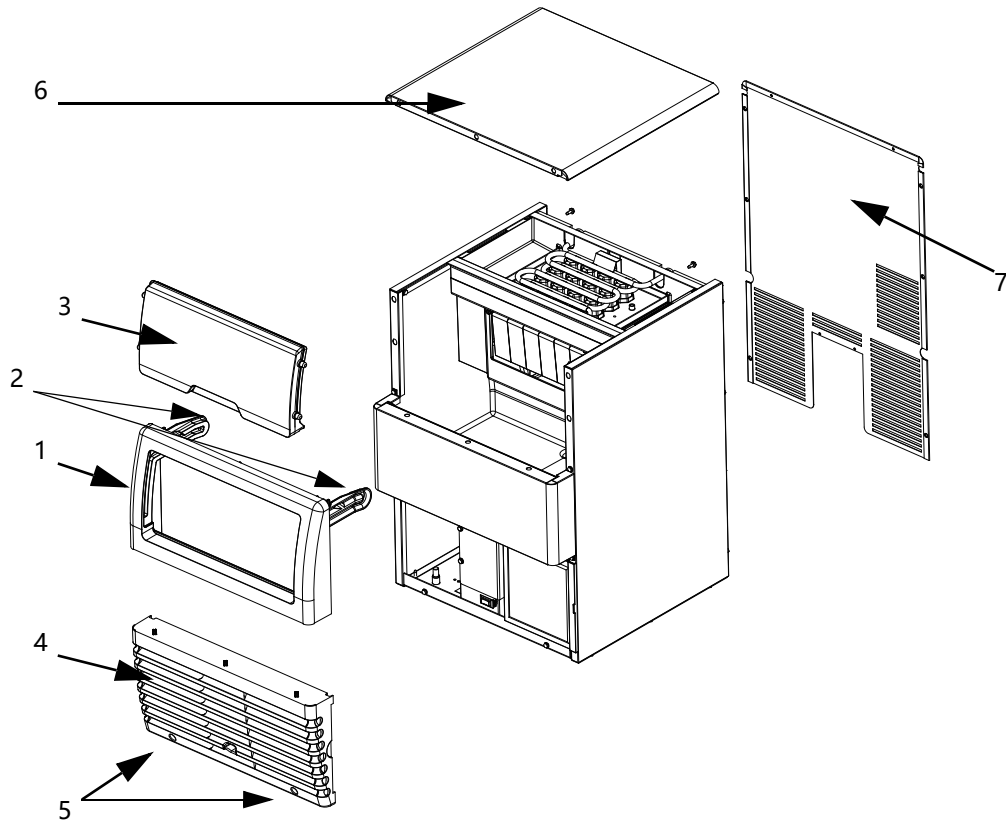
| DESCRIPTION | PART NO. |
|---|-----------------|
| 1 Air Condenser | 040002979 |
| 2 Baffle - Air Condenser (not shown) | 040003010 |
| 3 Hot Gas Valve | |
| 3a Hot Gas Valve 230/50-60/1 Ph. | 040003699 |
| a. Hot Gas Valve Coil Only 230/50-60/1 Ph | 040000103 |
| 3b Hot Gas Valve 115/60/1 Ph | 040008538 |
| a. Hot Gas Valve Coil Only 115/60/1 Ph | 040000101 |
| 4 Line Drier | 8252169 |
| 5 Liquid Line NTC Thermistor | 040003056 |
| 6 Fan Motor | |
| a. 230/50-60 Hz | 040003598 |
| b. 115V/60 Hz | 040003000 |
| c. Fan Blade UG30A-251 | 040003599 |
| d. Fan Blade UG30A-261&UG30A-161 | 040003599 |
| Miscellaneous – Brackets, Screws, etc. | |
| 7 Fan Shroud | 040002993 |
| 8 Fan Motor Mounting Bracket | 040002995 |

UG0030REFRIGERATION COMPARTMENT – WATER-COOLED



| DESCRIPTION | | PART NO. |
|---|--------------------------------------|-----------------|
| 1 | Water Condenser | 8253029 |
| 2 | Liquid Line Drier | 8252169 |
| 3 | HPCO (not shown) | 2006839 |
| 4 | Receiver | 8252519 |
| 5 | Water Regulating Valve | 8252729 |
| | a. Coupling 3/8 F x 3/8 NPT | 8332023 |
| Miscellaneous – Brackets, Screws, etc. | | |
| 6 | Adapter 1/2 NPTF | 8706103 |
| 7 | Water Regulating Valve Bracket | 6056039 |

UG0030 PANELS



DESCRIPTION

PART NO.

Door – Gray

| | | |
|---|--|-----------|
| 1 | Frame..... | 040004027 |
| 2 | Door Track Assembly..... | 040004089 |
| 3 | Door Assembly..... | 040004028 |
| 4 | Grill (Not Including Air Filter)..... | 040002977 |
| 5 | Grill Screws (5 x 13 mm)..... | 000001718 |
| 6 | Top Cover..... | 6062119 |
| 7 | Back Panel..... | 040003724 |
| 8 | Leg Levelers..... | 5005909 |
| 9 | Air Filter (Not Shown)..... | 040004367 |