

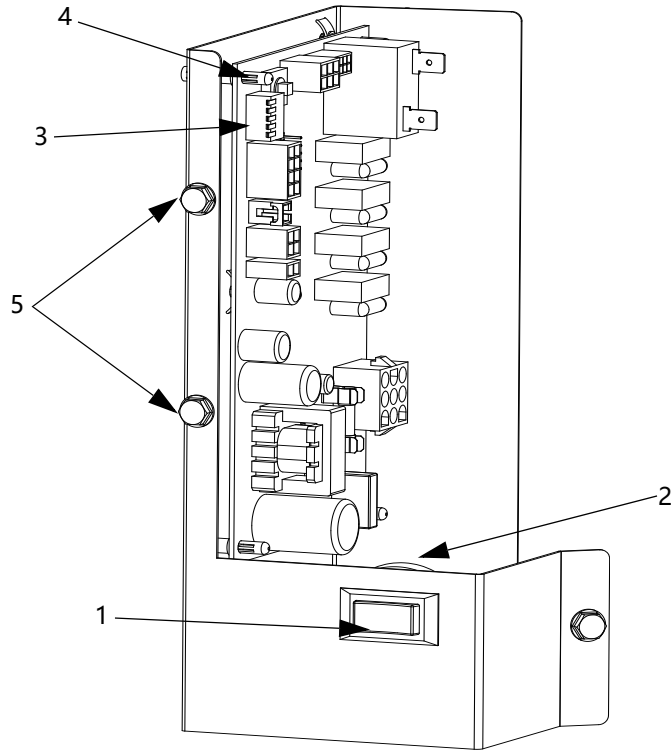


Ice Machine Parts List for Series UG0020 Models

UGE0020A

UGP0020A

UGE0020 CONTROL BOX



DESCRIPTION

PART NO.

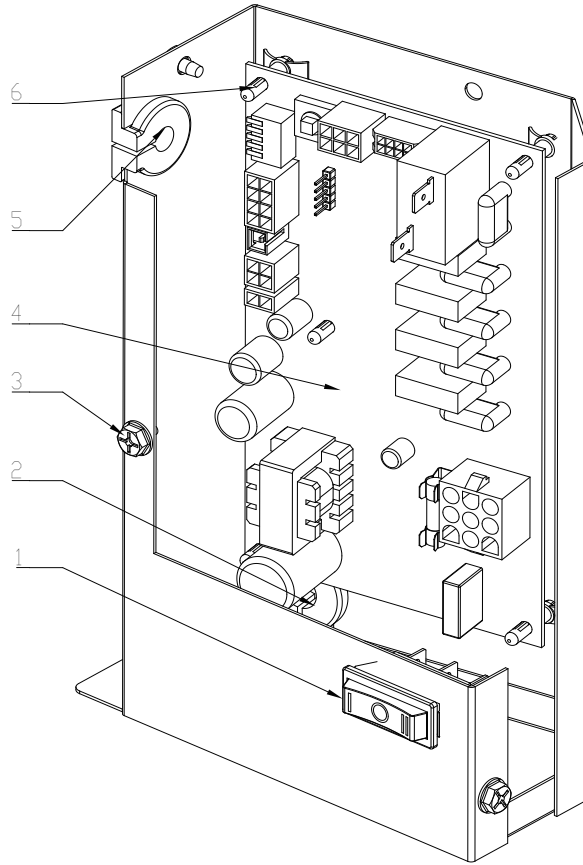
1	Toggle Switch	
a.	Toggle Switch	2301513 ^[1]
b.	Toggle Switch	040005440 ^[2]
2	Bushing-1.5"	2500139
2a	Bushing-0.875"	2501409
3	Control Board	
a.	Control Board	040002984 ^[1]
b.	Control Board	040005521 ^[2]
Miscellaneous – Brackets, Screws, etc.		
4	Control Board Mounting Supports	4302253
5	Screw	5202329
6	Wiring Harness (Not Shown)	
a.	Wiring Harness, Main	040003745
b.	Wiring Harness, Toggle Switch	040003438
7	Jump Wire (Not Shown)	
a.	230V/50Hz	040003060
b.	230V/60Hz	040003070

NOTES:

[1] Before Serial Number 310370498.

[2] After Serial Number 310370498.

UGP0020 CONTROL BOX



DESCRIPTION

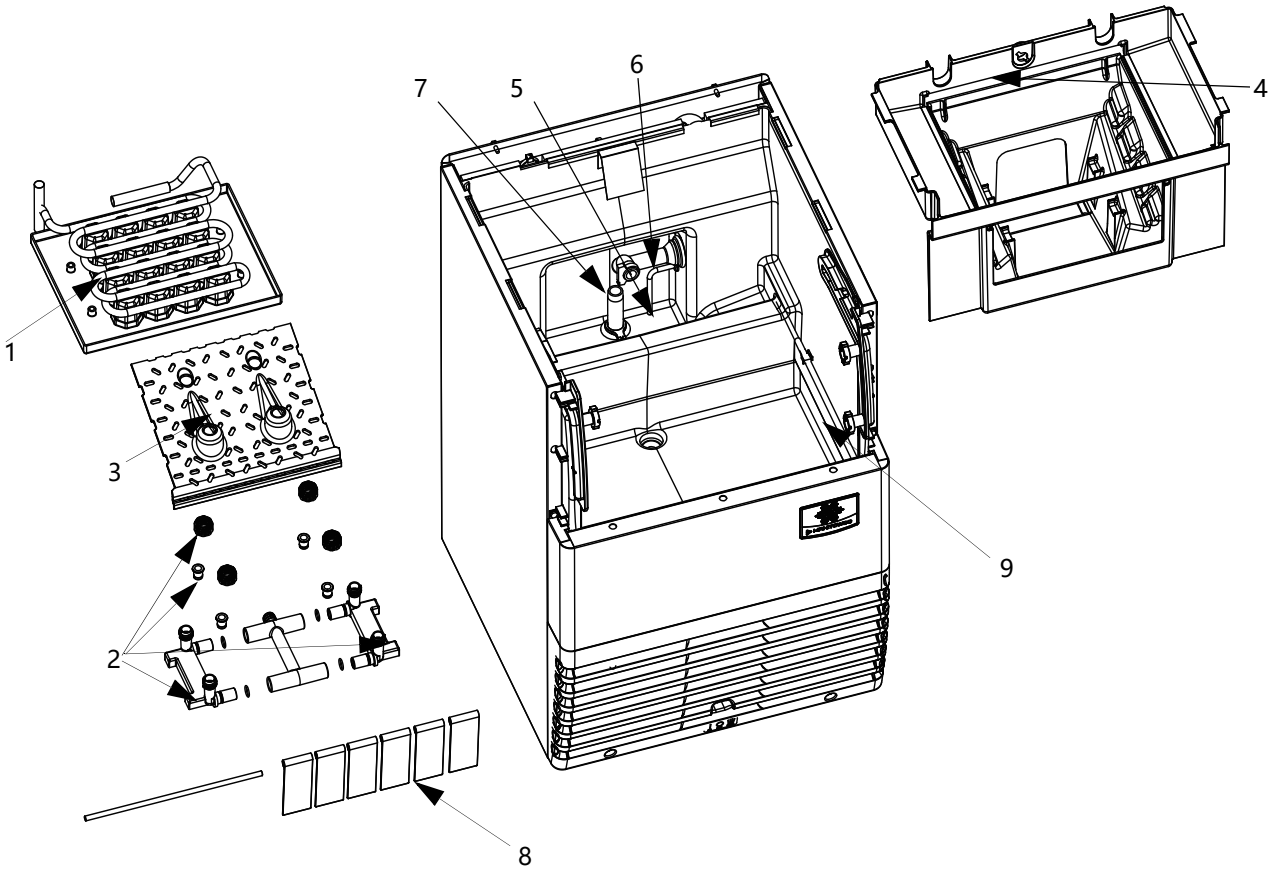
PART NO.

1	Toggle Switch.....	.040005440
2	Protection Grommet 26*26.....	.040006596
3	Screw5202329
4	Control Board.....	.040006639
5	Protection Grommet 23*23.....	.040006595
6	Control Board Mounting Supports4302253

Miscellaneous – Wire (Not Shown)

7	Wiring Harness, Main.....	.040006637
8	Wiring Harness, Toggle Switch040003438
9	Jump Wire(230V/50Hz)040003060

UG0020 EVAPORATOR ASSEMBLY



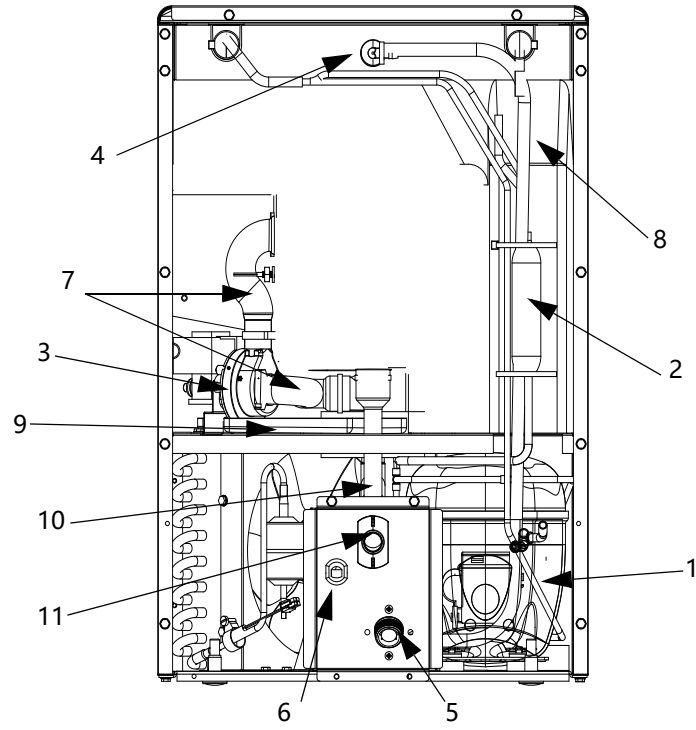
DESCRIPTION

	PART NO.
1 Evaporator Assembly -Standard	3006429
2 Spray Bar Assembly	040004363
3 Ice Ramp	040003489
4 Evaporator Housing Assembly	040003490
5 Water Level NTC Thermistor	040003053
6 Tubing (Water Pump Out)	040004668
7 Standpipe Assembly	
a. Standpipe	4012749
b. Plug	040000096
c. Drain Screen	4014933
8 Curtain Assembly	
a. Paddle	040003482 ^[1]
b. Rod	3006943
c. Cover.evap/Hanger	040003723
9 Bin level control metal sheet	040004244
10 Bin Full NTC Thermistor Assembly (not shown)	040004976

NOTE:

[1] 6 paddles used on UG0020.

UG0020 REFRIGERATION COMPARTMENT – COMMON PARTS



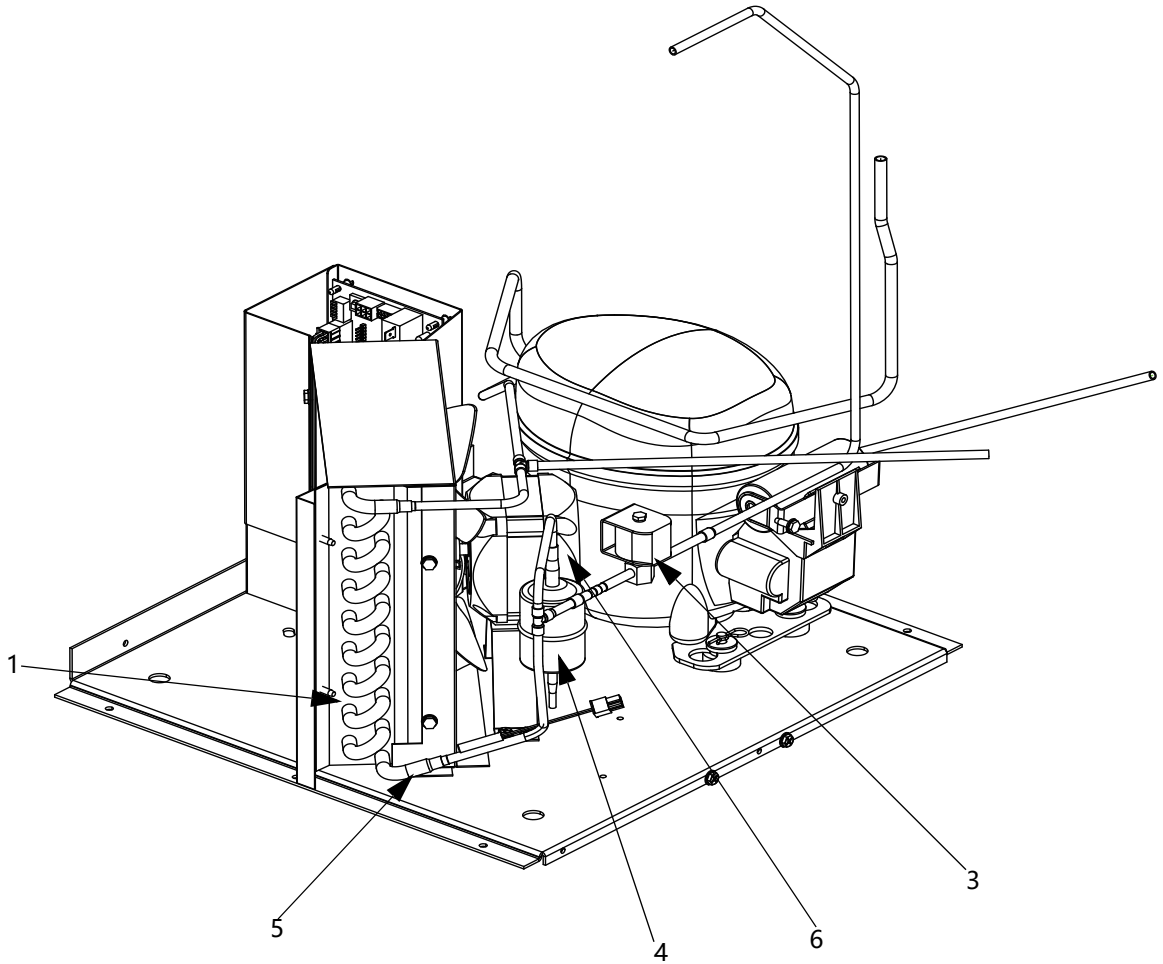
DESCRIPTION	PART NO.
1 Compressor	
1a Embraco 230/50-60/1 Ph	040000170 ^[1]
a. Start Relay	2010063 ^[1]
b. Overload Protector	2010103 ^[1]
1b Compressor 230/50/1 Ph	040006835 ^[2]
a. PTCR	040006837 ^[2]
b. Overload Protector	040006838 ^[2]
c. Run Capacitor	040006840 ^[2]
2 Cap Tube Assembly	
a. Cap Tube Assembly-UGF	040004365
b. Cap Tube Assembly-UGP	040007785
3 Water Pump	
a. 220V/50Hz	040005212
b. 220V/60Hz	040005213
4 Evaporator Water Inlet Fitting	040004041
5 Water Inlet Valve	
a. 230/50-60Hz	040001079
b. Mylar Shield	000000827
6 Strain Relief	2512043
7 Vinyl Tubing	
a. Pump to Spray Bar	040004668
b. Sump to Pump	040004667
c. Clamp	5000493
8 Water Inlet Tubing .375 ID×45"L	000006438
9 Condensate Tray	4011769
10 Bin Drain Tube	040002975
11 Drain Fitting Barbed	4011289
Miscellaneous – Brackets, Screws, etc.—Not Shown	
12 Screw M4×0.7 x 7 mm (mounts water inlet valve)	5004429
13 Leg	5005909

NOTE:

[1] UGE0020

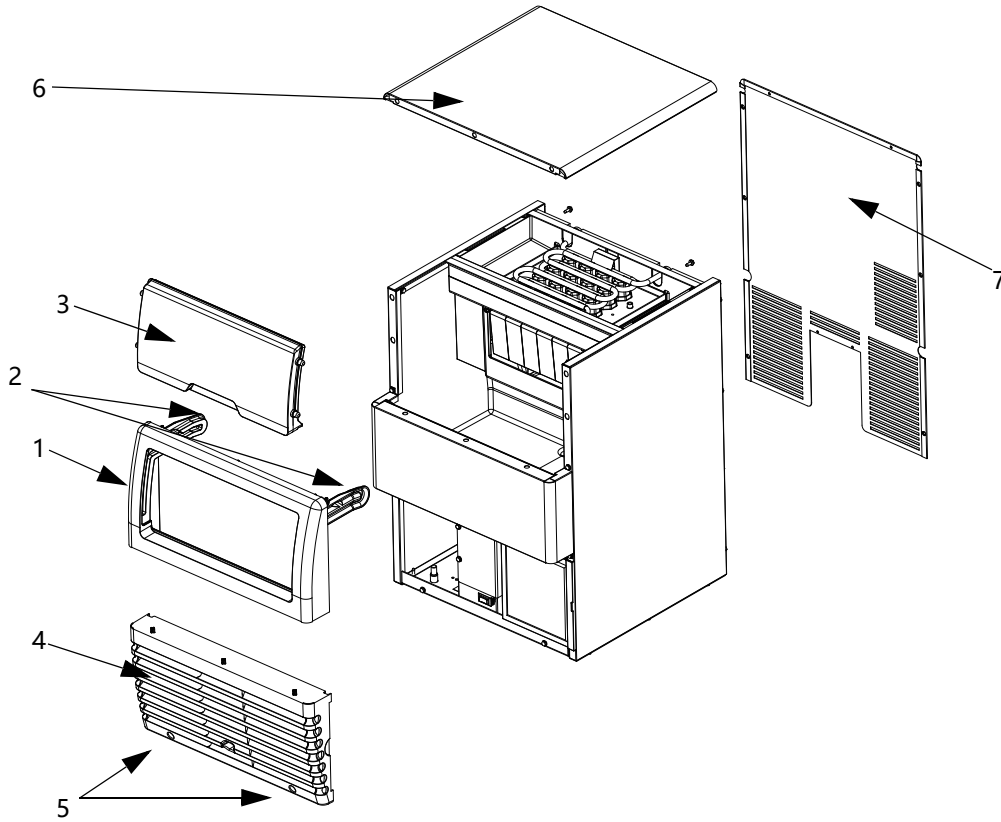
[2] UGP0020

UG0020 REFRIGERATION COMPARTMENT – AIR-COOLED



DESCRIPTION	PART NO.
1 Air Condenser040002976
2 Baffle - Air Condenser (not shown)040002992
3 Hot Gas Valve040003786
4 Line Drier8252169
5 Liquid Line NTC Thermistor040003056
6 Fan Motor	
a. 230/50-60 Hz040004035
b. Fan Blade040003599
Miscellaneous – Brackets, Screws, etc.	
7 Fan Shroud040003720
8 Fan Motor Mounting Bracket040002995

UG0020 PANELS



DESCRIPTION

Door – Gray

	PART NO.
1 Frame	040004027
2 Door Track Assembly	040004089
3 Door Assembly	040004028
4 Grill (Not Including Air Filter)	040002977
5 Grill Screws (M5 x 13 mm)	5004499
6 Top Cover	6062119
7 Back Panel	040003724
8 Leg Levelers (Not Shown)	5005909
9 Air Filter-5.32"×6.64" (Not Shown)	040004367