

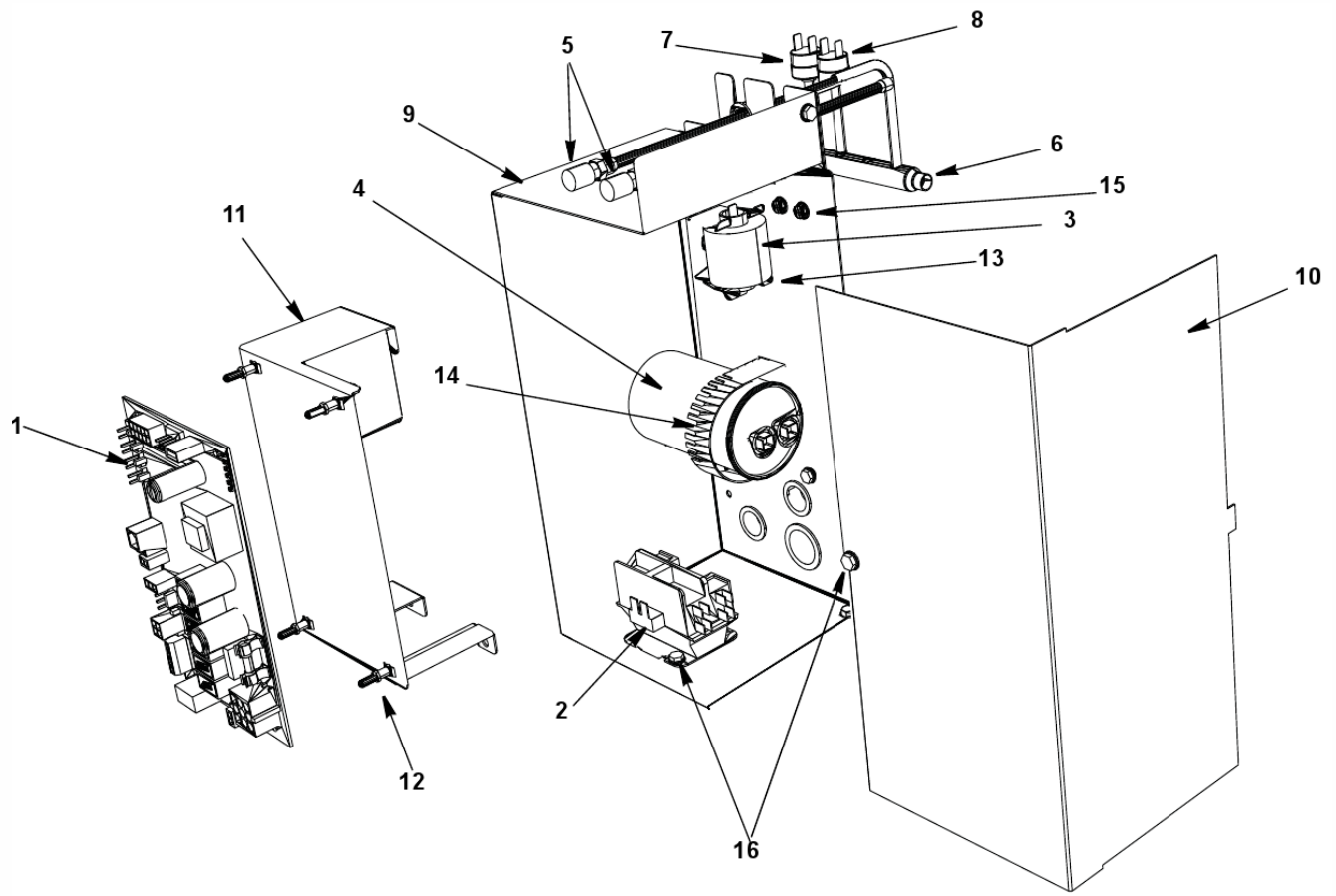


Ice Machine Parts List For Indigo NXT

IYF1000

IYF1000 Indigo NXT

Control Box



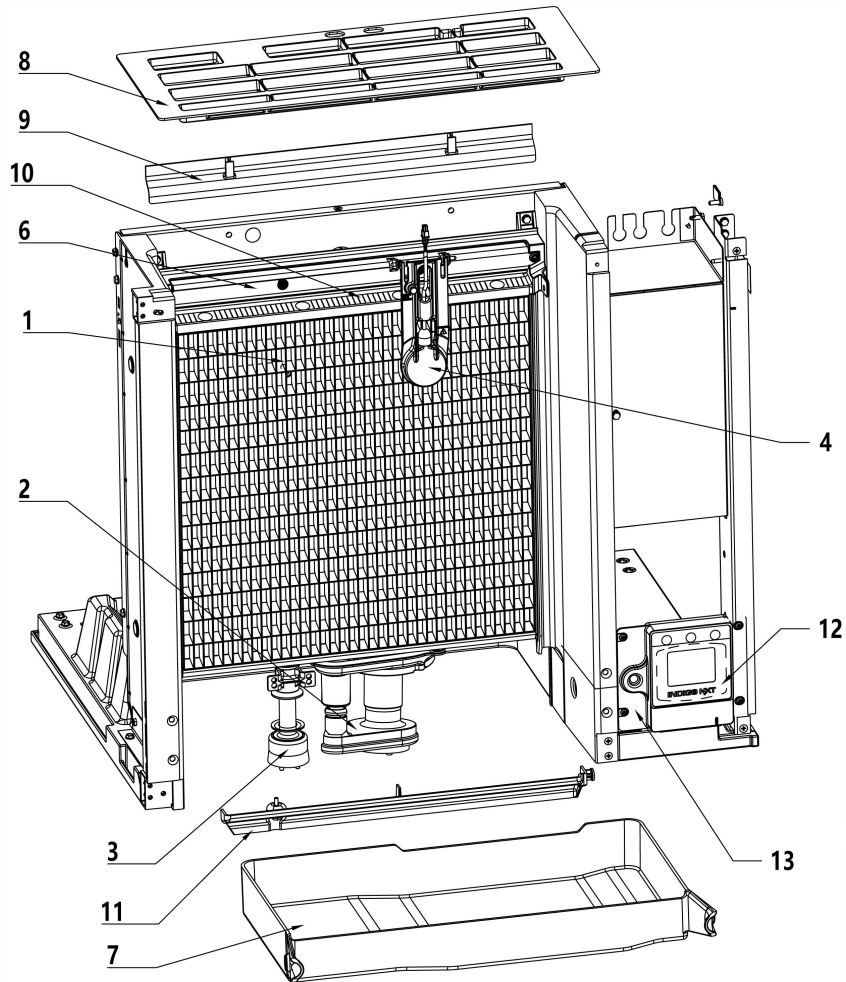
IYF1000 Indigo NXT

Control Box

#	PART #	DESCRIPTION	Note
1	000015208	Control Board	
1a	000015009	Ceramic Fuse - 6.3A	
2		Contactors	
2a	2006599	Contactors - 230V/50-60 Hz/1 Ph	
2b	2006619	Contactors - 230V/60 Hz/3 Ph	
3	8504993	PTCR - 18A	
4	8503933	Run Capacitor - 230V/50-60 Hz/1 Ph	
5	8373263	Refrigeration Service Valve Assembly - 0.375"	
6	040004435	Manifold Strainer	
6a	6058571	Bracket - Access Valves/Manifold Strainer	
7	000013579	High Pressure Cut-out (Auto-reset)	
8	000013578	Fan Cycling Control - 225-275 psig	
9	000013818	Control Box	
10	000007569	Control Box Cover	
11	000010991	Control Board Mounting Bracket	
12	4302253	Control Board Mounting Supports	
13	8505013	PTCR Mounting Bracket	
14	6033131	Capacitor Mounting Strap	
15	5202169	Screw - #10-24 x 0.5" Ground	
15a	5573209	Star Washer	
16	5202069	Screw - #10-24 x 0.5" HEX	
17	5573209	Star Washer (not shown)	
18		Control Box Bushings (not shown)	
18a	2500019	Bushing - 1.187"	
18b	2501409	Bushing - 0.875"	
18c	2502189	Bushing - 0.625"	
18b	040005859	Bushing	
19		Control Box Wiring Harness (not shown)	
19a	000007181	Control Box Wiring Harness - 3 Ph	
19b	000007180	Control Box Wiring Harness - 230V/50 Hz/1 Ph	
19c	2007439	Harvest Air Assist Pump Wiring Harness	
20		Compressor Compartment Wiring Harness (not shown)	
20a	000007178	Compressor Compartment Wiring Harness - Air-cooled	
20b	000007176	Compressor Compartment Wiring Harness - Water-cooled	
20c	000007175	Compressor Compartment Wiring Harness - Remote Air-cooled	

IYF1000 Indigo NXT

Evaporator Compartment - Common Components



IYF1000 Indigo NXT

Evaporator Compartment - Common Components

#	PART #	DESCRIPTION	Note
1		Evaporator Assembly	
1a	7602273	Evaporator - Half Dice Cube	
2		Water Pump - See Note for Specific Voltage	
2a	000010262	Water Pump - 230V/50-60HZ	
3	000015996	Water Level Probe	
3a	000015997	Wire - Control Box to Probe	
3b	5202099	Screw - #10-24 x 0.5" PHIL	[1]
3c	000007053	Holder-Water level probe	
4	000015209	Ice Thickness Control Probe	
5	4010989	Water Curtain (not shown)	
6	7602193	Water Distribution Tube - 30"	
6a	5004649	O-Rings - 0.675"	[2]
7	000010337	Water Trough	
8	000009055	Foodzone Seal Panel - 30"	
9	4008469	Evaporator Top Filler Panel	
9b	5202099	Screw - #10-24 x 0.5" PHIL	
10	7602203	Evaporator Top Frame Assembly	
11	7602213	Water Diverter - 30" Models	
11a	5305123	Thumbscrew SS - #8-32 x 0.44"	
12	000015153	Touchscreen Housing Assembly	
13	000006697	Mounting Bracket	
14	5004659	Water Pump Base O-Ring - 4.00" ID (not shown)	
15	5004679	Water Pump Outlet O-Ring - 0.875" ID (not shown)	

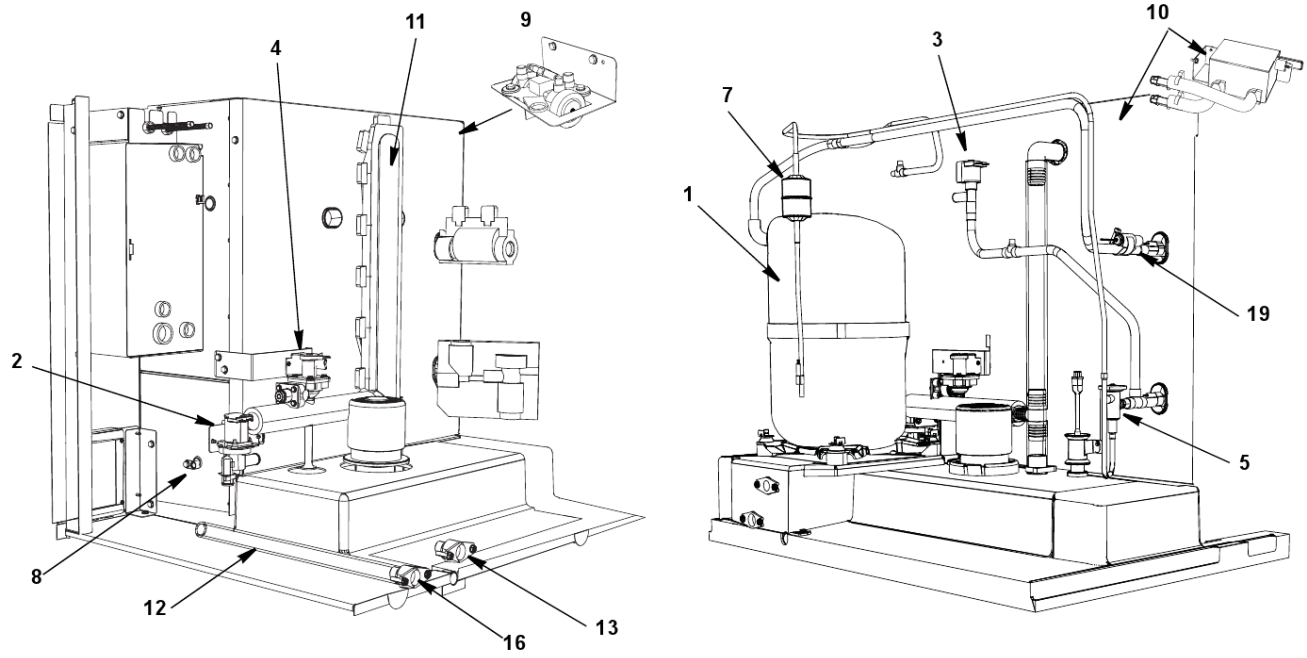
变更为线长更长的
000015998, 为防止断货

PART NOTES:

- [1] - Mount Water Level Probe Holder
 [2] - Back of Distribution Assembly

IYF1000 Indigo NXT

Refrigeration Compartment - Common Components



IYF1000 Indigo NXT

Refrigeration Compartment - Common Components

#	PART #	DESCRIPTION	Note
1		Compressor	
1a	8252313	Compressor - Copeland 208-230/60/1	
1b	8252323	Compressor - Copeland 208-230/60/3	
2		Water Dump Valve	
2a	000007436	Water Dump Valve - 208-230V/50-60 Hz	[1]
2b	4420383	Clear Tubing - 0.625" ID	
3		Harvest Valve	
3a	000007015	Solenoid Valve 0.5" x 0.5" Including 208-230V/50-60 Hz Electrical Coil	
3b	000005157	Solenoid Valve Coil Only - 230V/50-60 Hz	
4		Water Inlet Valve	
4a	000009122	Water Inlet Valve - 208-230V/50-60 Hz	
5	7602253	Expansion Valve	
5a	000012443	Valve Insulation Boot - Body	
5b	000002719	Valve Insulation Boot - Bulb	
6	000015573	Thermistor with Spring Clips (not shown)	
7		Drier	
7a	8930279	Drier	[2]
7b	8930259	Drier	[3]
8	000007710	Magnetic Bin Switch	
8a	000014038	Bin Switch Wiring Harness	
9		Air Assist	
9a	000007223	Air Assist - 230V	
9b	4011739	Air Manifold	[4]
9c	000006489	Air Assist Bracket	
9d	3001453	Air Assist - Nozzle	
9e	4420883	Vinyl Tubing - 0.25" ID	
10	K00454	Luminice Bulbs	
11	000015332	Insulated Tube	[5]
11a	5650709	Snap Clamp - 0.799"/0.899" ID	
12	000001382	Vinyl Tubing 0.625" ID	[6]
12a	6038831	Insulation - 0.88" ID x 0.25" W x 13.5" L	
12b	5650709	Snap Clamp - 0.799"/0.899" ID	
13	040005544	Female Wing Adapter	[7]
13a	1360961	Male Connector	
13b	000000772	Tygon Tube - 0.25" OD	
14	4421363	Tubing - Water Inlet Valve (not shown)	
15	000009062	Connector - Water Inlet Valve (not shown)	
16	000005423	Female Wing Adapter - 0.5"	
17		Compressor Mounting (not shown)	
17a	6061709	Compressor Mounting Base	
17b	8503069	Mounting - Rubber Grommet	
17c	5000903	Mounting - Sleeve	
17d	000000917	Compressor Mounting - Bolt	
17e	5005009	Compressor Mounting - Nut	

IYF1000 Indigo NXT

Refrigeration Compartment - Common Components

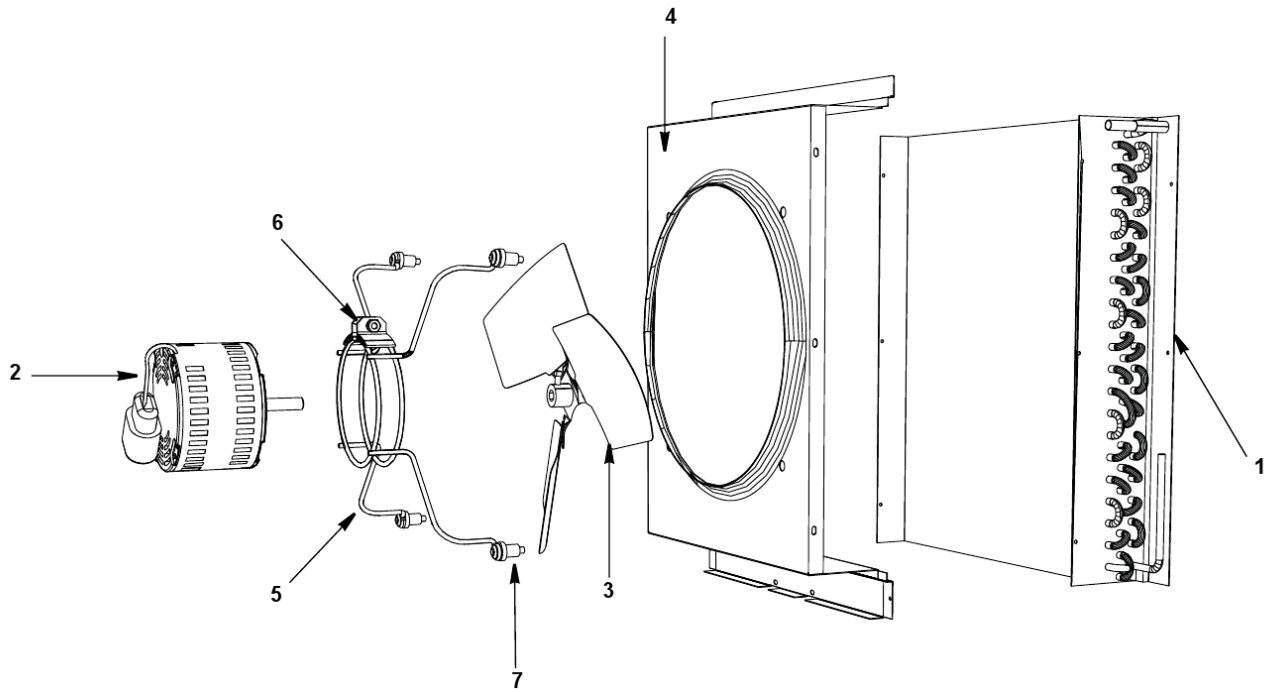
#	PART #	DESCRIPTION	Note
18	5650529	Clamp - Expansion Valve Bulb (not shown)	
19	3000503	Strap - Expansion Valve Bulb - 0.5"	
20	5202069	Screw - #10-24 x 0.5" HEX (not shown)	

PART NOTES:

- [1] - with bracket
 - [2] - Remote Models
 - [3] Air-cooled & Water-cooled Models
 - [4] - Air Pump Tubing Outlet
 - [5] - vinyl tubing from distribution tube to water pump & dump valve
 - [6] - dump valve to drain adapter
 - [7] - Brass
- If replacing a nylon fitting you must order 1360961

IYF1000 Indigo NXT

Refrigeration Compartment - Air-cooled



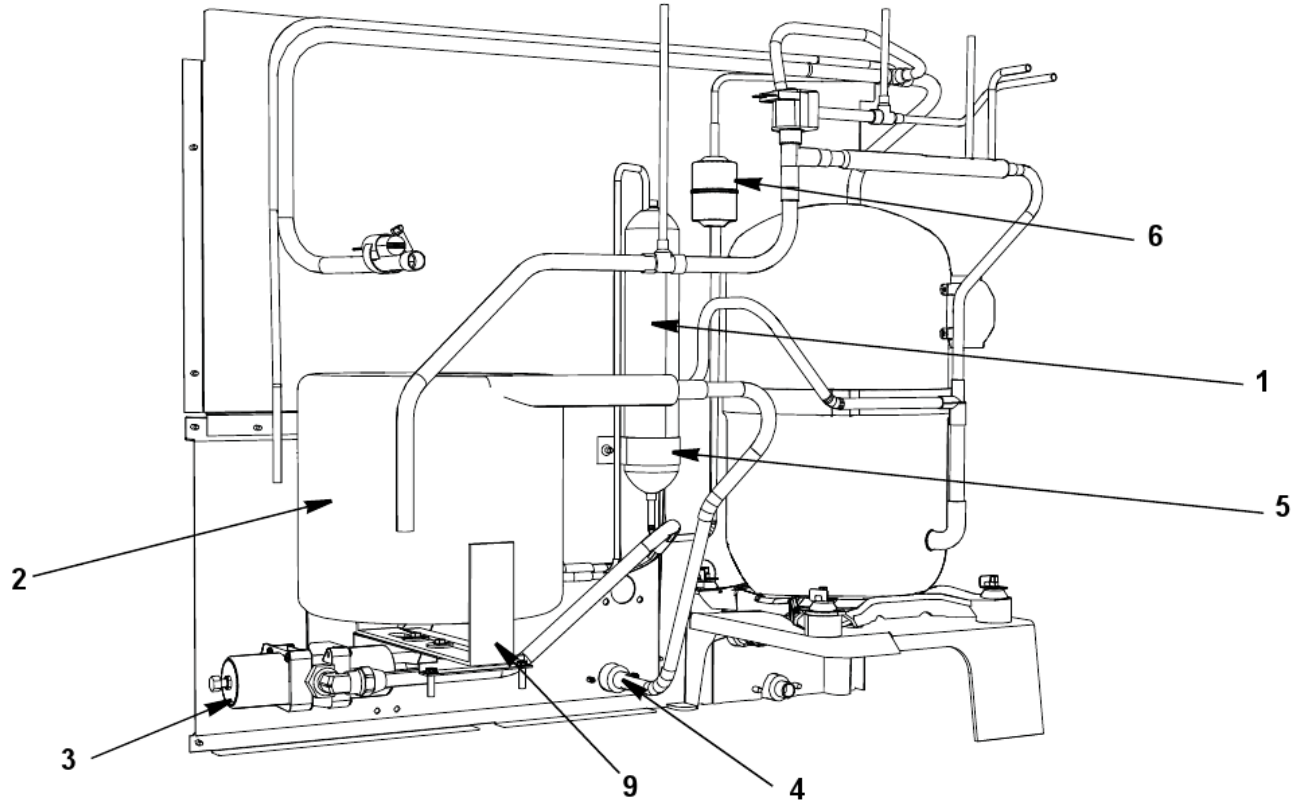
IYF1000 Indigo NXT

Refrigeration Compartment - Air-cooled

#	PART #	DESCRIPTION	Note
1	8252399	Air Condenser	
2	2009653	Fan Motor - 200-230V/50-60 Hz	
3	2416123	Fan Blade	
4	6058111	Fan Shroud	
5	3006843	Mounting Bracket - Fan Motor	
6		Fan Motor Mounting	
6a	5033589	Screw	
6b	5545109	Lockwasher	
6c	5429529	Mounting - Hexnut	
7		Fan Bracket Mounting	
7a	5033589	Screw	
7b	5545109	Lockwasher	
7c	5573059	Flatwasher	
7d	5429559	Rubber Wellnut	
8	5202069	Screw - #10-24 x 0.5" HEX (not shown)	
9	8930259	Drier (not shown)	

IYF1000 Indigo NXT

Refrigeration Compartment - Water-cooled



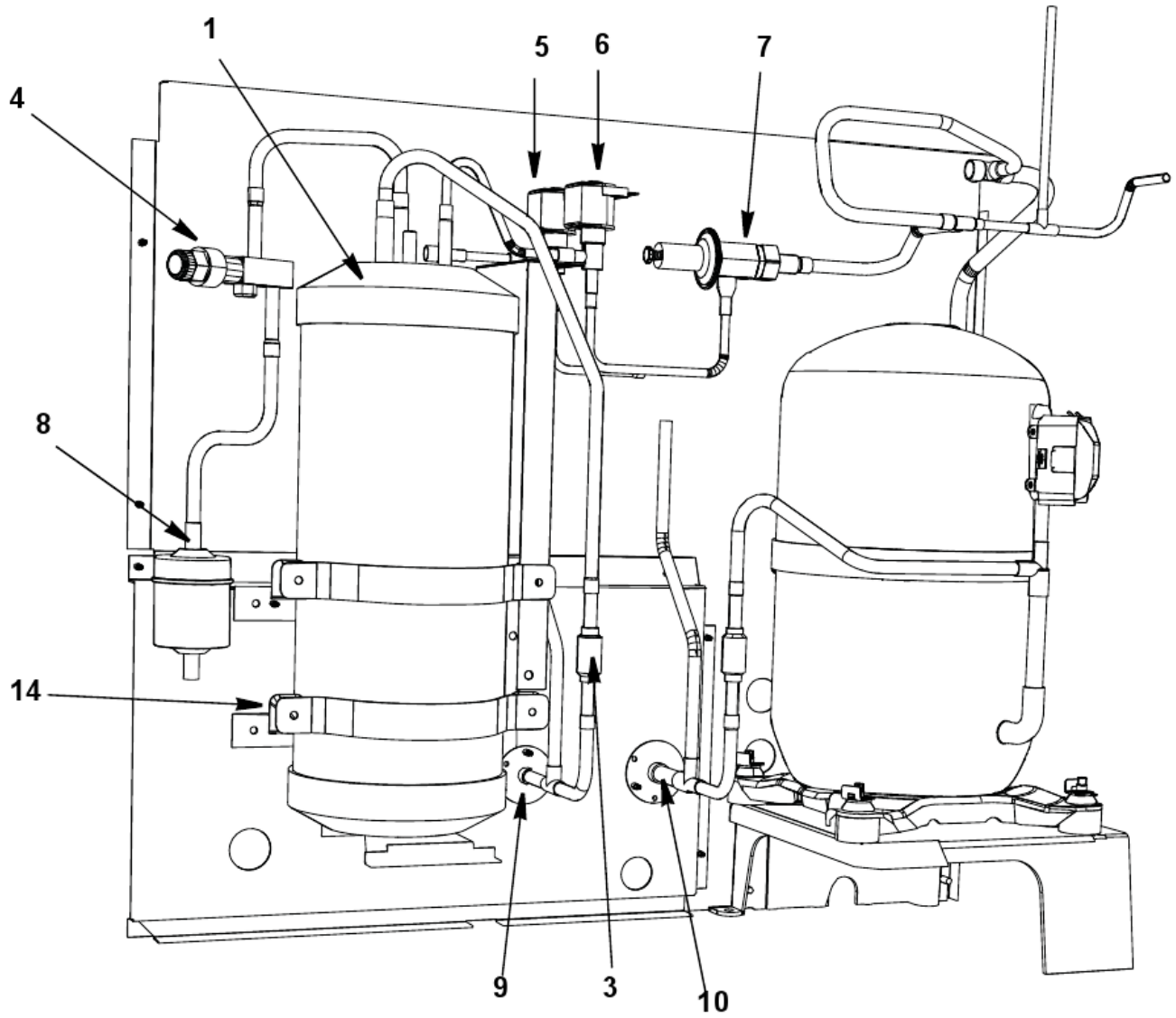
IYF1000 Indigo NXT

Refrigeration Compartment - Water-cooled

#	PART #	DESCRIPTION	Note
1	000008893	Receiver	
2	000000898	Water-cooled Condenser	
3	000007546	Water Regulating Valve	
4	8706083	Female Wing Adapter - 0.5"	
5	000011051	Receiver Strap	
6	8930259	Drier	
7	5202069	Screw - #10-24 x 0.5" HEX (not shown)	
8	5573419	Washer (not shown)	
9	000011057	Mounting Base - Water Condenser or Receiver SS	
10	5002249	Elbow - 0.5" MF x 0.375" MPT (not shown)	

IYF1000 Indigo NXT

Refrigeration Compartment - Remote



IYF1000 Indigo NXT

Refrigeration Compartment - Remote

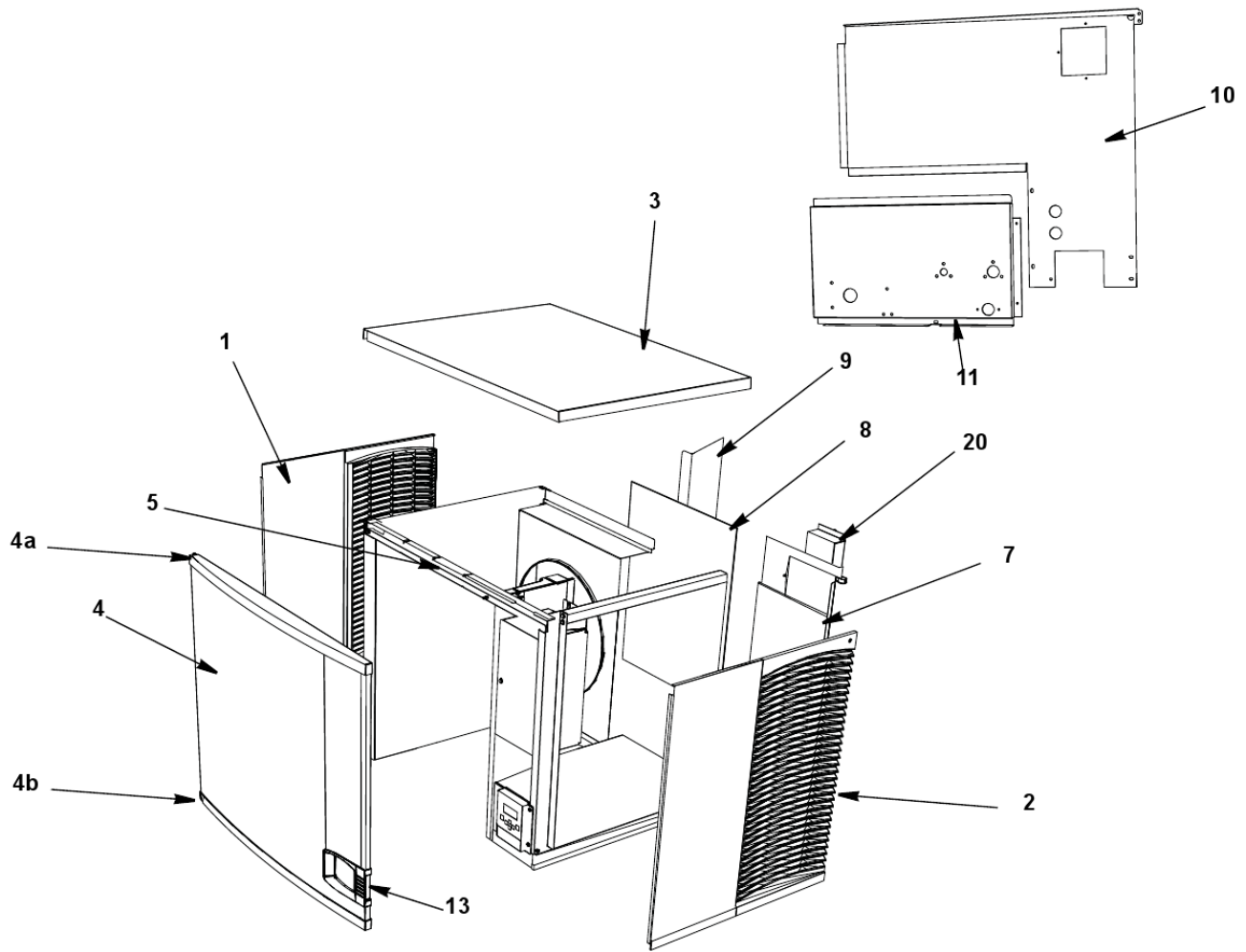
#	PART #	DESCRIPTION	Note
1	7629573	Receiver	
3	8373149	Magni-Check Valve - 0.375"	
4	8373169	Receiver Service Valve	
4a	5650753	Caps for Refrigeration Service Valve	
5		Liquid Line Solenoid (LLS) Valve	
5a	000007032	Solenoid Valve 0.25" x 0.25" Including 208-230V/50-60 Hz Electrical Coil	
5b	000005157	Solenoid Valve Coil Only - 230V/50-60 Hz	
6		Harvest Pressure Regulating Solenoid (HPR) Valve	
6a	000015050	Solenoid Valve 0.25" x 0.25" Including 208-230V/50-60 Hz Electrical Coil	
6b	000005157	Solenoid Valve Coil Only - 230V/50-60 Hz	
7	8367793	Harvest Pressure Regulating Valve	[1]
8	8930279	Drier	
9	8360343	Coupling - Male - 0.625"-18	
10	8360353	Coupling - Male - 1.17"-12	
11	8360053	Coupling Mounting Flange for 0.625"-18 (not shown)	
12	8360063	Coupling Mounting Flange for 1.17"-12 (not shown)	
13	5650619	Screw Mounting Base (not shown)	
14		Receiver Mounting	
14a	000010915	Receiver Mounting Bracket	
14b	000010982	Mounting Strap - Receiver	
14c	6058571	Support Bracket	
14d	000011057	Mounting Base - Water Condenser or Receiver SS	
14e	5202069	Screw - #10-24 x 0.5" HEX	

PART NOTES:

[1] - HPR

IYF1000 Indigo NXT

Panels



IYF1000 Indigo NXT

Panels

#	PART #	DESCRIPTION	Note
1	000012618	Left Side Panel - 26.5" H	
2	000012617	Right Side Panel - 26.5" H	
3	000006699	Top Cover	
4	000015667	Front Panel Assembly - 30" x 26.5"	
4a	000006538	Top Endcap	
4b	000006539	Bottom Endcap	
5	000010051	Front Top Support	
5a	5005379	Mounting Screw - #8-32 x 1.0" PHIL	
5b	5005099	Screw - #10-16 x 0.625"	
		Air-cooled Back Panels	
7	000010999	Back Panel with Electrical Connection Box, Air-cooled Models	
8	3005559	Air Filter - 17.18" x 21.88"	
9	000007502	Air Baffle Assembly	
		Water-cooled & Remote Air-cooled Back Panels	
10	000011001	Back Panel with Electrical Connection Box	
11	000011024	Back Coupling Panel - Water-cooled and Remote Air-cooled	
12	8706083	Female Wing Adapter - 0.5" (not shown)	
13	000006564	LCD Frame without Key Guard	
14	5004899	Front Panel Screw (not shown)	
15	7602263	Bottom Door Frame (not shown)	
15a	5202099	Screw - #10-24 x 0.5" PHIL	
16	3005579	Left Door Pivot Leaf Hinge (not shown)	[1]
16a		Mounting Screw - #8-32 x 1.0" PHIL	
16b	000001127	Tapping Plate - Door Hinge Screws	
17	6068649	Left Top Channel (not shown)	
18	000011332	Right Corner Post (not shown)	
19	000011032	Right Top Channel (not shown)	
20		Electrical Box on Rear of Ice Machine	
20a	2006143	Terminal Block - 50 Hz - 3 Pole	
20b	5202169	Screw - #10-24 x 0.5" Ground	
21	000011330	Left Corner Post (not shown)	

PART NOTES:

[1] - Top or Bottom